



ECO Compact distribution board, surface mounted, 1-rows, 12 MU, IP40



Part no. **BC-0-1/12-TW-ECO**
 Catalog No. **281691**

Delivery program

Basic function			Basic device
Product function			Installation distribution boards
Product range			ECO DBO
Design			Surface mounted
Installation site			Indoor
Type of installation			Surface mounting
Door/Flap			White
Degree of Protection			IP40
Colour			White
Module rack			Single-rail
Shroud for protection against accidental contact			Plastic
Rows	Count		1
Module units per row			12
Description			IP40 Protection Class II Plastic housing white (RAL 9003)
Cable entries			Metric cable entries on top and bottom
PE and N terminals design			Screw terminals
PE and N terminals	Number x cross- sectional area	mm ²	PE: 12 x 10 N: 12 x 10
Equipment supplied			Basic device Device support rails Neutral-/protective conductor terminal

Technical data

General

Standards			EN 62208_x
RoHS (in accordance with Directive 2002/95/EC of the European Parliament and Council)			conform
Ambient temperature		°C	-20 - +70
Degree of Protection			IP40
Protection class			II (totally insulated)
Rated operational voltage	U _e	V AC	400
Rated frequency	f	Hz	50

Material characteristics

Material			ABS (plastic)
Colour			white (RAL 9003)

Material properties

Mechanical			
Impact resistance			IK05

Design verification as per IEC/EN 61439

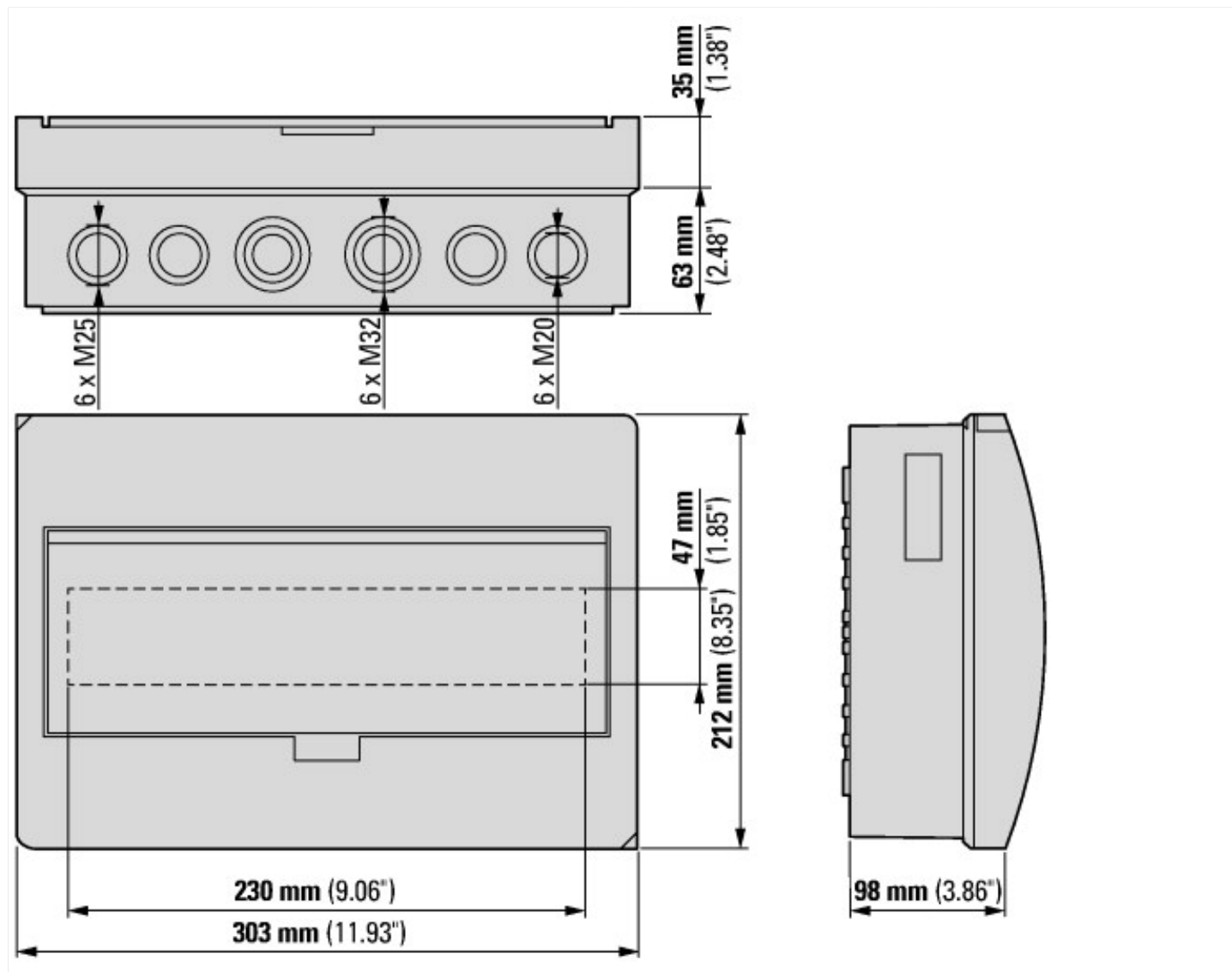
Technical data for design verification			
Heat dissipation, at an ambient temperature of 35°C, delta T: 20 degrees in top of the enclosure, calculated as per IEC 60890			
Individual enclosure for wall mounting	P _V	W	13
Heat dissipation, at an ambient temperature of 35°C, delta T: 35 degrees in top of the enclosure, calculated as per IEC 60890			
Individual enclosure for wall mounting	P _V	W	26
IEC/EN 61439 design verification			

10.2 Strength of materials and parts			
10.2.2 Corrosion resistance			Meets the product standard's requirements.
10.2.3.1 Verification of thermal stability of enclosures			Meets the product standard's requirements.
10.2.3.2 Verification of resistance of insulating materials to normal heat			Meets the product standard's requirements.
10.2.3.3 Verification of resistance of insulating materials to abnormal heat and fire due to internal electric effects			850 °C; meets the product standard's requirements.
10.2.4 Resistance to ultra-violet (UV) radiation			Not relevant to indoor installations.
10.2.5 Lifting			Does not apply to enclosures without lifting aids.
10.2.6 Mechanical impact			IK05
10.2.7 Inscriptions			Meets the product standard's requirements.
10.3 Degree of protection of ASSEMBLIES			IP40
10.4 Clearances and creepage distances			Is the panel builder's responsibility.
10.5 Protection against electric shock			Protection class 2, therefore not applicable.
10.6 Incorporation of switching devices and components			Is the panel builder's responsibility.
10.7 Internal electrical circuits and connections			Is the panel builder's responsibility.
10.8 Connections for external conductors			Is the panel builder's responsibility.
10.9 Insulation properties			
10.9.2 Power-frequency electric strength			$U_1 = 400 \text{ V AC}$
10.9.3 Impulse withstand voltage			3.75 kV
10.9.4 Testing of enclosures made of insulating material			Meets the product standard's requirements.
10.10 Temperature rise			The panel builder is responsible for the temperature rise calculation. Eaton will provide heat dissipation data for the devices.
10.11 Short-circuit rating			Is the panel builder's responsibility.
10.12 Electromagnetic compatibility			Is the panel builder's responsibility.
10.13 Mechanical function			Meets the product standard's requirements.

Technical data ETIM 7.0

Distribution boards (EG000023) / Small distribution board (EC000214)			
Electric engineering, automation, process control engineering / Electrical installation, device / Electrical distribution system (incl. small distribution board) / Small distribution board (ecl@ss10.0.1-27-14-24-09 [ACN387011])			
Mounting method			Surface mounted (plaster)
Number of rows			1
Width in number of modular spacings			12
Type of cover			Door
Cover model			Closed
Transparent cover/door			No
Material housing			Plastic
Height		mm	212
Width		mm	303
Depth		mm	98
Built-in depth		mm	70
Internal depth		mm	90
DIN-rail			Yes
With mounting plate			No
Extension possible			No
EMC-version			No
Colour			White
RAL-number			9003
Degree of protection (IP)			IP40
With lock			No
Type of closure			Other

Dimensions



Additional product information (links)

IL014002Z ECO compact distribution board

IL014002Z ECO compact distribution board https://es-assets.eaton.com/DOCUMENTATION/AWA_INSTRUCTIONS/IL014002ZU2014_02.pdf

Product overview (Web) <http://www.eaton.eu/DE/Europe/Electrical/ProductsServices/Residential/index.htm>