



Enclosures and mounting boxes: IP55 cover 4M +screws RAL 7035 grey

14944

Enclosures and mounting boxes / IP40 and IP55 series / IP55 covers - Isoset

IP55 cover 4M +screws RAL 7035 grey

4-module cover, with screws, for Eikon and Plana series, for 4-module flush mounting boxes, IP55, RAL 7035 grey

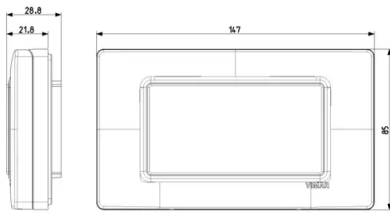
Product Status

3 - Active

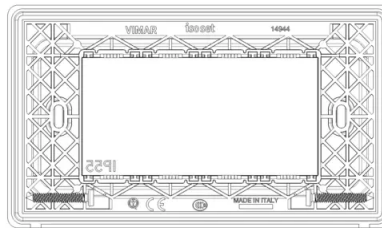
Minimum order quantity

1 NR

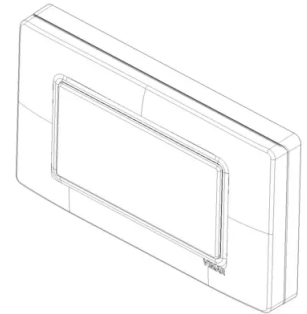
Drawings



Space view



Backside view



3D View



Technical data

- **Class group:** Connection devices
- **Class:** Equipment carrier for insulated walls
- **Material:** Plastic
- **Mounting surfaces:** Other
- **With full insulating materials:** Yes

Certifications

- 00. CE Marking - EU
- 01. IMQ - Italy ([download](#))
- 15. CCC - China ([download](#))
- 37. Marking - Morocco
- 96. Electrotechnical expert ([download](#))



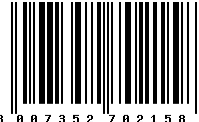
Packaging



8 0 0 7 3 5 2 1 2 9 0 5 4
Code 8007352129054
Quantity 1 NR
Dim. 14.7x8.4x2.2 [cm]
Weight 118.7 [g]



8 0 0 7 3 5 2 1 2 9 0 6 1
Code 8007352129061
Quantity 10 NR
Dim. 28.4x18.4x9.5 [cm]
Weight 1,297.8 [g]



8 0 0 7 3 5 2 7 0 2 1 5 8
Code 8007352702158
Quantity 120 NR
Dim. 59x38.5x30 [cm]
Weight 16,422 [g]

Legal

Vimar reserves the right to change at any time and without notice the characteristics of the products reported. Installation should be carried out by qualified staff in compliance with the current regulations regarding the installation of electrical equipment in the country where the products are installed. For the terms of use of the information on the product info sheet see [Conditions of Use](#).