



Eikon: 2P+E 16A German SICURY outlet grey

20208

Eikon / Devices / Other standards socket outlets

2P+E 16A German SICURY outlet grey

2P+E 16 A 250 V~ SICURY socket outlet, German standard, grey - 2 modules

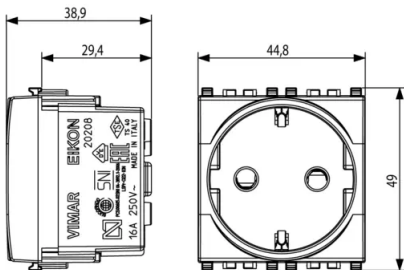
Product Status

3 - Active

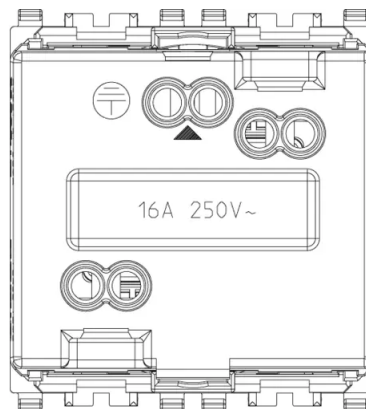
Minimum order quantity

20 NR

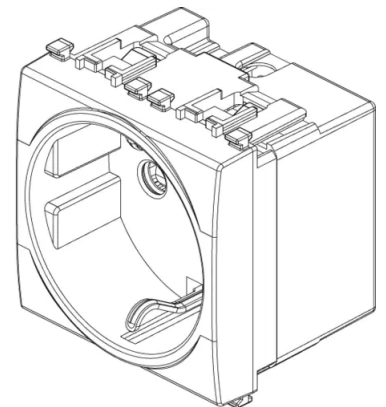
Drawings



Space view



Backside view



3D View





Technical data

- **Class group:** Domestic switching devices
- **Class:** Socket outlet
- **Model:** Protective contact (SCHUKO)
- **With built-in USB power supply:** No
- **Number of units:** 1
- **Number of modules (module system):** 2
- **Number of socket outlets switchable:** 0
- **Imprint/indication:** None
- **Connection type:** Screwed terminal
- **With hinged lid:** No
- **With enhanced contact protection:** Yes
- **Label space/information surface:** Yes
- **Colour:** Grey
- **RAL-number (similar):** 7024
- **Metallic colour:** No
- **Transparent:** No
- **Lockable:** No
- **Eject-mechanism:** No
- **Insulated mounting:** No
- **With function lighting:** No
- **Over voltage protection:** No
- **Fault current protection:** No
- **Mounting method:** Flush mounted (plaster)
- **Material:** Plastic
- **Material quality:** Thermoplastic
- **Halogen free:** Yes
- **Surface protection:** Untreated
- **Surface finishing:** Matt
- **With on/off switch:** No
- **With loop through function:** No
- **Rotated central insert:** No
- **Nominal current:** 16 A
- **Nominal voltage:** 250 v
- **Frequency:** 50,00 - 60,00 HZ
- **Suitable for degree of protection (IP):** IP20
- **Impact strength:** Other
- **Width of device:** 44,80 mm
- **Height of device:** 49,00 mm
- **Depth of device:** 38,90 mm

Certifications

- 00. CE Marking - EU
- 00. CE Marking - EU
- 09. VDE - Germany ([download](#))
- 10. EAC Eurasian Customs Union
- 12. AENOR - Spain ([download](#))
- 12. AENOR - Spain ([download](#))
- 13. SNI - Indonesia
- 14. TSE - Turkey ([download](#))
- 19. NOM - Mexico
- 37. Marking - Morocco
- 99. WEEE Directive ([download](#))

Packaging



8 007352 249493
Code 8007352249493
Quantity 1 NR
Dim. 5.1x4.3x5.3 [cm]
Weight 48.07 [g]



8 007352 249509
Code 8007352249509
Quantity 20 NR
Dim. 26.9x11.6x9 [cm]
Weight 1,040.87 [g]



8 007352 635241
Code 8007352635241
Quantity 240 NR
Dim. 38x28.5x35.5 [cm]
Weight 13,030 [g]

Legal

Vimar reserves the right to change at any time and without notice the characteristics of the products reported. Installation should be carried out by qualified staff in compliance with the current regulations regarding the installation of electrical equipment in the country where the products are installed. For the terms of use of the information on the product info sheet see [Conditions of Use](#).