



Eikon: Badge switch 230V grey

20466

Eikon / Systems / Access control system

Badge switch 230V grey

Badge electronic switch with vertical pocket, 16 A 230 V~ relay output, supply voltage 230 V~ 50-60 Hz, with built-in 3-module mounting frame for British standard installation, grey. Supplied without ISO card (badge)

Product Status

3 - Active

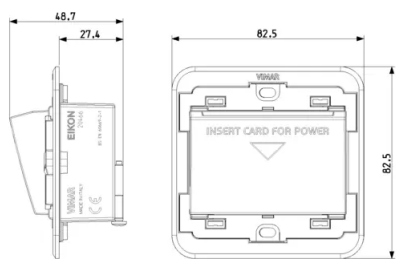
Minimum order quantity

1 NR

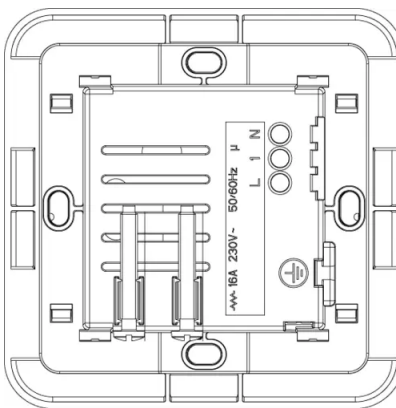
Sheets, Manuals, Documentation

- [Multilanguage instructions sheet \(805 kb\)](#)

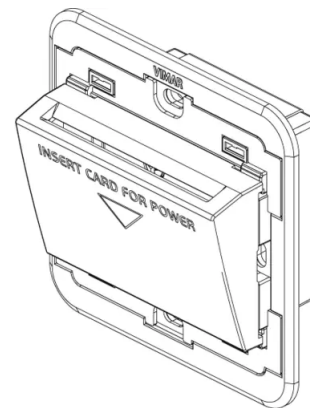
Drawings



Space view



Backside view



3D View





Technical data

- **Class group:** Alarm installations, emergency call and signalling
- **Class:** Access control system
- **Standalone:** Yes
- **Networkable:** No
- **PC-binding:** No
- **Type of interface:** None
- **Reading strategy:** Data medium
- **Signalling:** None
- **Mounting method:** Flush mounted (plaster)
- **Operating voltage at AC 50 Hz:** 230,00 - 230,01 v
- **Operating voltage at AC 60 Hz:** 230,00 - 230,01 v
- **Operating temperature:** -5 - 45 °C
- **Degree of protection (IP):** IP20
- **Colour:** Grey
- **Material:** Plastic
- **Width:** 82,50 mm
- **Height:** 82,50 mm
- **Depth:** 48,70 mm

Certifications

- 00. CE Marking - EU
- 10. EAC Eurasian Customs Union
- 31. TISI - Thailand
- 37. Marking - Morocco
- 96. Electrotechnical expert ([download](#))
- 99. WEEE Directive ([download](#))

Packaging



8 007352 403314
Code 8007352403314
Quantity 1 NR
Dim. 11.7x10.8x7.1 [cm]
Weight 154.4 [g]

Legal

Vimar reserves the right to change at any time and without notice the characteristics of the products reported. Installation should be carried out by qualified staff in compliance with the current regulations regarding the installation of electrical equipment in the country where the products are installed. For the terms of use of the information on the product info sheet see [Conditions of Use](#).