



Eikon: Frame 1M for panel mounting

20626

Eikon / Mounting frames / For panels

Frame 1M for panel mounting

1-module mounting frame, with screws, for panel mounting

Product Status

3 - Active

Minimum order quantity

10 NR

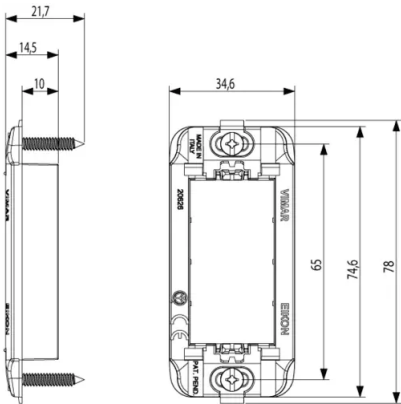


You may also be interested in

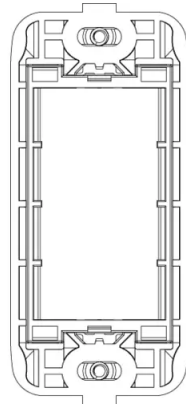


[16776.AU - Flush mounting box for panel mounting](#)

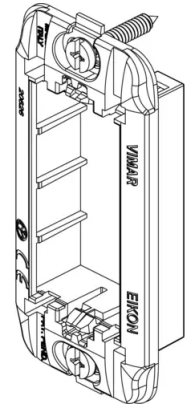
Drawings



Space view



Backside view



3D View



Technical data

- **Class group:** Domestic switching devices
- **Class:** Holder for modular domestic switching devices
- **Model:** Flush mounted (plaster)
- **Mounting method:** Mounting with screw
- **Mounting method of the module inserts:** Front side
- **Mounting direction:** Horizontal and vertical
- **Number of modules horizontal (module system):** 1
- **Number of modules vertical (module system):** 1
- **With built-in installation box:** No
- **With screws:** Yes
- **Suitable for mounting in round junction box 60 mm:** No
- **Flush-mounted installation:** Yes
- **Suitable for floor box:** No
- **Suitable for wall duct:** No
- **Suitable for mounting on DIN-rail 35 mm:** No
- **Material:** Plastic
- **Material quality:** Thermoplastic

Certifications

- 01. IMQ - Italy ([download](#))
- 29. QCERT - Colombia ([download](#))
- 37. Marking - Morocco
- 96. Electrotechnical expert ([download](#))

Packaging



8 0 0 7 3 5 2 2 5 1 3 9 7
Code 8007352251397
Quantity 1 NR
Dim. 3.5x7.8x2.1 [cm]
Weight 9.8 [g]



8 0 0 7 3 5 2 2 5 1 4 0 3
Code 8007352251403
Quantity 10 NR
Dim. 13.9x11.9x7.4 [cm]
Weight 143.87 [g]



8 0 0 7 3 5 2 6 3 7 2 1 4
Code 8007352637214
Quantity 200 NR
Dim. 38.5x29.5x25 [cm]
Weight 3,178 [g]

Legal

Vimar reserves the right to change at any time and without notice the characteristics of the products reported. Installation should be carried out by qualified staff in compliance with the current regulations regarding the installation of electrical equipment in the country where the products are installed. For the terms of use of the information on the product info sheet see [Conditions of Use](#).