



Eikon: Frame 2M +claws 71mm

21602

Eikon / Mounting frames / For round boxes

Frame 2M +claws 71mm

2-module mounting frame, with claws, for \varnothing 60 mm mounting boxes, 71 mm distance between centres

- The honeycomb structure gives structural strength
- The slots in the corners enable fixing to the panel
- The hooking teeth encourage fixing in series for the installation of multiple modules

Product Status

3 - Active

Minimum order quantity

50 NR

You may also be interested in

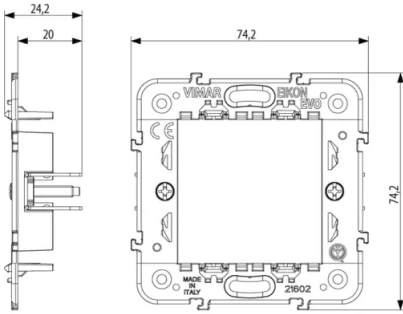


21602.C - Cover 2M Eikon
mount-frame

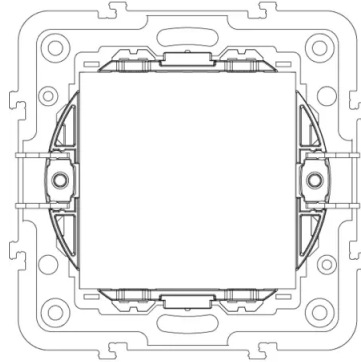




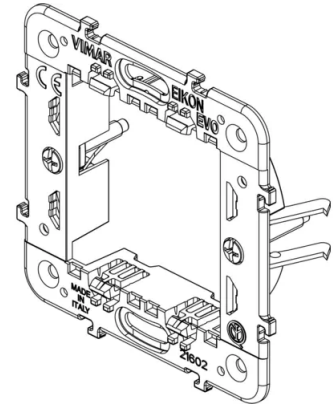
Drawings



Space view



Backside view



3D View

Technical data

- **Class group:** Domestic switching devices
- **Class:** Holder for modular domestic switching devices
- **Model:** Flush mounted (plaster)
- **Mounting method:** Mounting with claw
- **Mounting method of the module inserts:** Front side
- **Mounting direction:** Horizontal and vertical
- **Number of modules horizontal (module system):** 2
- **Number of modules vertical (module system):** 1
- **With built-in installation box:** No
- **With screws:** No
- **Suitable for mounting in round junction box 60 mm:** Yes
- **Flush-mounted installation:** Yes
- **Suitable for floor box:** No
- **Suitable for wall duct:** No
- **Suitable for mounting on DIN-rail 35 mm:** No
- **Material:** Plastic
- **Material quality:** Thermoplastic
- **Surface protection:** Untreated

Certifications

- 01. IMQ - Italy ([download](#))
- 01. IMQ - Italy ([download](#))
- 01. IMQ - Italy ([download](#))
- 01. IMQ - Italy ([download](#))
- 29. QCERT - Colombia ([download](#))
- 37. Marking - Morocco
- 96. Electrotechnical expert ([download](#))

Packaging



8 007352 421349
Code 8007352421349
Quantity 1 NR
Dim. 7.4x7.4x2.4 [cm]
Weight 27.6 [g]



8 007352 421356
Code 8007352421356
Quantity 50 NR
Dim. 28.4x24.4x11.9 [cm]
Weight 1,465.2 [g]



8 007352 651005
Code 8007352651005
Quantity 300 NR
Dim. 59.5x38.5x26.5 [cm]
Weight 9,420 [g]

Legal

Vimar reserves the right to change at any time and without notice the characteristics of the products reported. Installation should be carried out by qualified staff in compliance with the current regulations regarding the installation of electrical equipment in the country where the products are installed. For the terms of use of the information on the product info sheet see [Conditions of Use](#).