



Eikon: Frame 2M without screws 71mm

21603

Eikon / Mounting frames / For square boxes

Frame 2M without screws 71mm

2-module mounting frame, without screws, for 60 mm fixing centres or 56x56 mm mounting box, modular, 71 mm distance between centres

- The honeycomb structure gives structural strength
- The slots in the corners enable fixing to the panel
- The hooking teeth encourage fixing in series for the installation of multiple modules
- Thanks to the central slots, the support can be fixed onto the wall level



Product Status

3 - Active

Minimum order quantity

50 NR

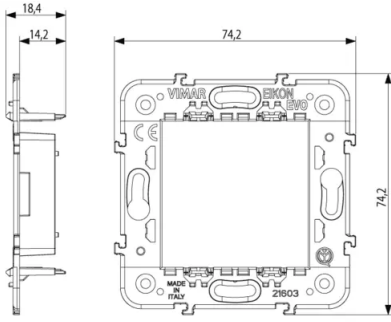
You may also be interested in



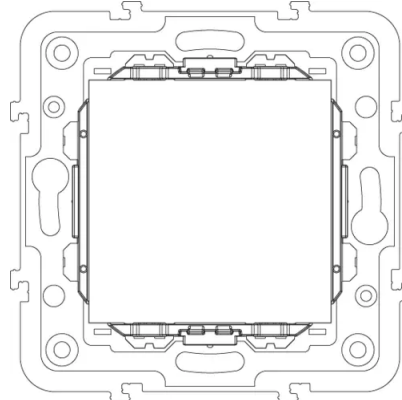
[21602.C - Cover 2M Eikon
mount-frame](#)



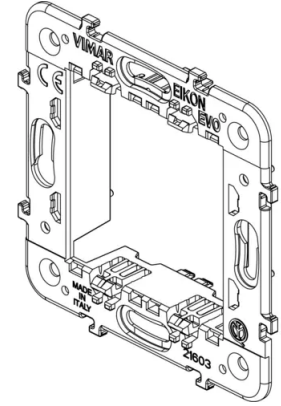
Drawings



Space view



Backside view



3D View

Technical data

- **Class group:** Domestic switching devices
- **Class:** Holder for modular domestic switching devices
- **Model:** Flush mounted (plaster)
- **Mounting method:** Mounting with screw
- **Mounting method of the module inserts:** Front side
- **Mounting direction:** Horizontal and vertical
- **Number of modules horizontal (module system):** 2
- **Number of modules vertical (module system):** 1
- **With built-in installation box:** No
- **With screws:** No
- **Suitable for mounting in round junction box 60 mm:** No
- **Flush-mounted installation:** Yes
- **Suitable for floor box:** No
- **Suitable for wall duct:** No
- **Suitable for mounting on DIN-rail 35 mm:** No
- **Material:** Plastic
- **Material quality:** Thermoplastic
- **Surface protection:** Untreated

Certifications

- 01. IMQ - Italy ([download](#))
- 01. IMQ - Italy ([download](#))
- 01. IMQ - Italy ([download](#))
- 01. IMQ - Italy ([download](#))
- 15. CCC - China ([download](#))
- 29. QCERT - Colombia ([download](#))
- 37. Marking - Morocco
- 96. Electrotechnical expert ([download](#))

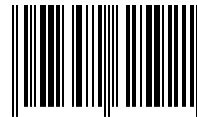
Packaging



Code 8007352421363
Quantity 1 NR
Dim. 7.4x7.4x2 [cm]
Weight 19.9 [g]



Code 8007352421370
Quantity 50 NR
Dim. 29x25x10 [cm]
Weight 1,076 [g]



Code 8007352625921
Quantity 300 NR
Dim. 62x26x30 [cm]
Weight 6,456 [g]

Legal

Vimar reserves the right to change at any time and without notice the characteristics of the products reported. Installation should be carried out by qualified staff in compliance with the current regulations regarding the installation of electrical equipment in the country where the products are installed. For the terms of use of the information on the product info sheet see [Conditions of Use](#).