



## Eikon: Frame 4M +screws

**21614**

Eikon / Mounting frames / For rectangular boxes

### Frame 4M +screws

4-module mounting frame, with screws, for 4-module mounting boxes

### Product Status

3 - Active

### Minimum order quantity

10 NR



You may also be interested in



21614.C - Cover 4M Eikon  
mount-frame

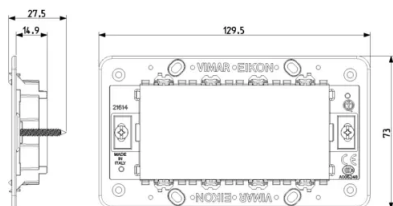


07937 - Screw for frame  
fixing - 35mm

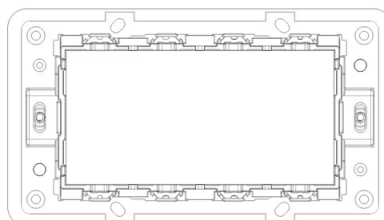


07939 - Screw for frame  
fixing - 50 mm

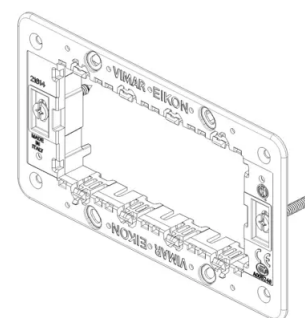
## Drawings



Space view



Backside view



3D View



## Gallery



## Technical data

- **Class group:** Domestic switching devices
- **Class:** Holder for modular domestic switching devices
- **Model:** Flush mounted (plaster)
- **Mounting method:** Mounting with screw
- **Mounting method of the module inserts:** Front side
- **Mounting direction:** Horizontal and vertical
- **Number of modules horizontal (module system):** 4
- **Number of modules vertical (module system):** 1
- **With built-in installation box:** No
- **With screws:** Yes
- **Suitable for mounting in round junction box 60 mm:** No
- **Flush-mounted installation:** Yes
- **Suitable for floor box:** No
- **Suitable for wall duct:** No
- **Suitable for mounting on DIN-rail 35 mm:** No
- **Material:** Plastic
- **Material quality:** Thermoplastic

## Certifications

- 01. IMQ - Italy ([download](#))
- 01. IMQ - Italy ([download](#))
- 01. IMQ - Italy ([download](#))
- 15. CCC - China ([download](#))
- 29. QCERT - Colombia ([download](#))
- 37. Marking - Morocco
- 96. Electrotechnical expert ([download](#))

## Packaging



**Code** 8007352420045  
**Quantity** 1 NR  
**Dim.** 13x7.3x1.9 [cm]  
**Weight** 40.9 [g]



**Code** 8007352420052  
**Quantity** 10 NR  
**Dim.** 13x7.3x19 [cm]  
**Weight** 412.2 [g]



**Code** 8007352420069  
**Quantity** 100 NR  
**Dim.** 39.5x29.5x14.5 [cm]  
**Weight** 4,473 [g]



**Code** 8007352483040  
**Quantity** 4,000 NR  
**Dim.** 80x120x86.5 [cm]  
**Weight** 191,200 [g]

## Legal

Vimar reserves the right to change at any time and without notice the characteristics of the products reported. Installation should be carried out by qualified staff in compliance with the current regulations regarding the installation of electrical equipment in the country where the products are installed. For the terms of use of the information on the product info sheet see [Conditions of Use](#).