



Enclosures and mounting boxes: Flush mounting box 18-21M light blue

V71321

Enclosures and mounting boxes / Flush mounting boxes / For masonry walls

Flush mounting box 18-21M light blue

18/21-module flush mounting box, (Glow Wire 650 °C), for masonry walls, light blue

- Plenty of space of internal wiring
- Wide range of accessories available: anti-mortar covers, coupling joints to create multiple series of boxes
- Knockouts designed for the insertion of pipes with various cross-sections
- Rack for fixing the dividing screen (patented)
- Fixing lug of the support screws with zinc-plating treatment to prevent the thread from clogging during installation and favour screwing



Product Status

3 - Active

Minimum order quantity

10 NR

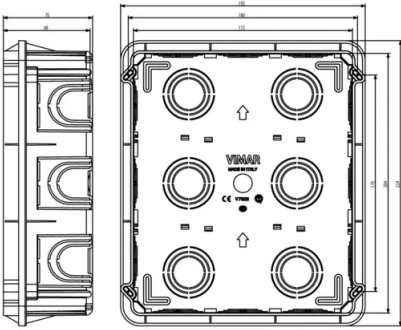
You may also be interested in



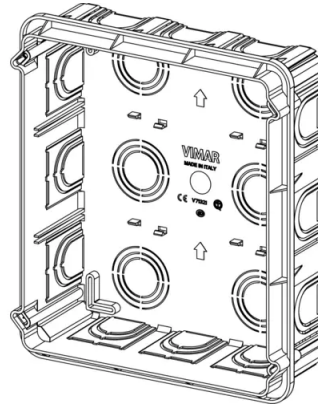
[V71551 - Horiz.dividing
screen for flush-mountbox](#)



Drawings



Space view



3D View

Technical data

- **Class group:** Connection devices
- **Class:** Box/housing for built-in mounting in the wall/ceiling
- **Mounting method:** Flush mounted (plaster)
- **Shape:** Rectangular
- **Construction type:** Device connection box (round/square)
- **Model:** Other
- **Provided with revolving ring:** No
- **Connectable:** Yes
- **Equipped with:** None
- **Diameter:** 0 mm
- **Length:** 224,00 mm
- **Width:** 192,00 mm
- **Depth:** 0,00 - 70,00 mm
- **Internal depth:** 50,00 mm
- **For number of electric fittings:** 21
- **Mounting switching equipment:** Screwing
- **With screws:** No
- **Housing feed-through by break-out opening:** Yes
- **Housing feed-through by seal membrane:** No
- **Housing feed-through by nozzle:** No
- **Housing feed-through by step membrane:** No
- **For tube diameter:** 20/25 mm
- **Pipe locking:** No
- **Pipe locking optional:** No
- **Inlet from the rear:** Yes
- **Number of inlets:** 18
- **Number of included spouts:** 0
- **Material:** Plastic
- **Halogen free:** Yes
- **Surface protection:** Untreated
- **Colour:** Blue
- **Degree of protection (IP):** IP00
- **Cover model:** None
- **Transparent cover:** No
- **Cover attachment:** Screwed
- **Sealable:** No
- **Circuit integrity:** None
- **With screening:** No
- **Air tight:** No
- **Max. conductor cross section:** 0
- **Number of poles of the clamp:** 0
- **Clamp position fixed:** No
- **Luminaire hook mounting:** No
- **Nozzle:** None
- **With nail lugs:** No
- **Special application:** None

Certifications

- 00. CE Marking - EU
- 01. IMQ - Italy ([download](#))
- 15. CCC - China ([download](#))
- 37. Marking - Morocco
- 96. Electrotechnical expert ([download](#))



Packaging



8 0 0 7 3 5 2 1 1 7 2 1 1
Code 8007352117211
Quantity 1 NR
Dim. 19.2x22.4x7 [cm]
Weight 170.2 [g]



8 0 0 7 3 5 2 1 1 7 2 2 8
Code 8007352117228
Quantity 10 NR
Dim. 38.5x29x30 [cm]
Weight 2,205.93 [g]

Legal

Vimar reserves the right to change at any time and without notice the characteristics of the products reported. Installation should be carried out by qualified staff in compliance with the current regulations regarding the installation of electrical equipment in the country where the products are installed. For the terms of use of the information on the product info sheet see [Conditions of Use](#).