



Eikon Next: 1P NO 10A name-plate push button Next

20050.N

Eikon Next / Devices / Devices - other functions

1P NO 10A name-plate push button Next

1P NO 10 A 250 V~ lightable name-plate push button, for E10 10x28 mm 1 W max lamp, Next - 2 modules. Delivered without lamp

Product Status

3 - Active

Minimum order quantity

20 NR



You may also be interested in



14771 - E10 10x28mm 24V
2W incand.lamp white

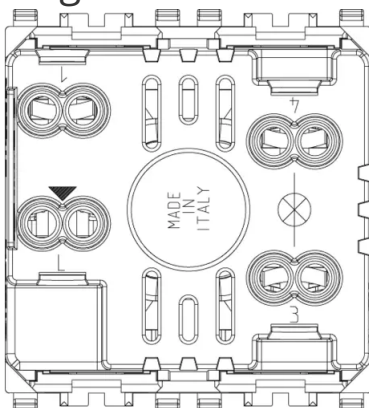


14777 - E10 10x28mm 220V
3W incand.lamp white

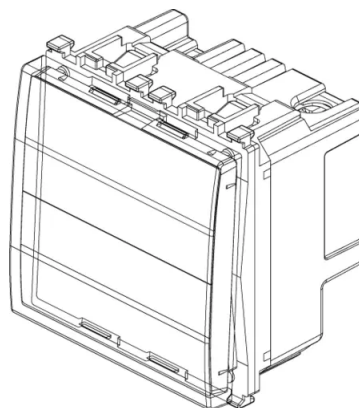


00940 - E10 10x21 230V
0,7W LED lamp white

Drawings



Backside view



3D View



Technical data

- **Class group:** Communication technique
- **Class:** Doorbell
- **With name plate:** Yes
- **With lighting:** Yes
- **Material:** Plastic
- **Mounting method:** Flush mounted (plaster)
- **Colour:** Grey
- **Wireless:** No
- **Built-in depth:** 26,50 mm
- **Height:** 49,00 mm

Certifications

- 00. CE Marking - EU
- 01. IMQ - Italy ([download](#))
- 10. EAC Eurasian Customs Union
- 14. TSE - Turkey ([download](#))
- 19. NOM - Mexico
- 20. IRAM - Argentina
- 29. QCERT - Colombia ([download](#))
- 31. TISI - Thailand
- 36. ISI - India
- 37. Marking - Morocco
- 96. Electrotechnical expert ([download](#))
- 99. WEEE Directive ([download](#))

Packaging



8 0 0 7 3 5 2 2 9 1 3 9 3
Code 8007352291393
Quantity 1 NR
Dim. 5.1x4.3x5.3 [cm]
Weight 51.2 [g]



8 0 0 7 3 5 2 2 9 1 4 0 9
Code 8007352291409
Quantity 20 NR
Dim. 26.9x11.6x9 [cm]
Weight 1,103.8 [g]



8 0 0 7 3 5 2 6 4 2 0 2 7
Code 8007352642027
Quantity 240 NR
Dim. 38x28.5x35.5 [cm]
Weight 13,764 [g]

Legal

Vimar reserves the right to change at any time and without notice the characteristics of the products reported. Installation should be carried out by qualified staff in compliance with the current regulations regarding the installation of electrical equipment in the country where the products are installed. For the terms of use of the information on the product info sheet see [Conditions of Use](#).