



VIMAR



Energia positiva 10A pushes white

20062.B

Eikon white / Devices / Devices - other functions

Two interlocked NO+NO 10A pushes white

Two interlocked push buttons, 1P NO + 1P NO 10 A 250 V~, with directional arrows, white

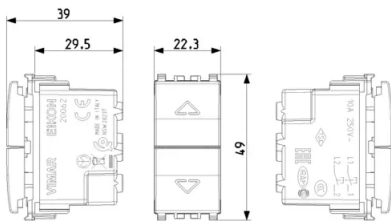
Product Status

3 - Active

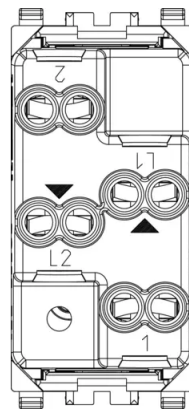
Minimum order quantity

10 NR

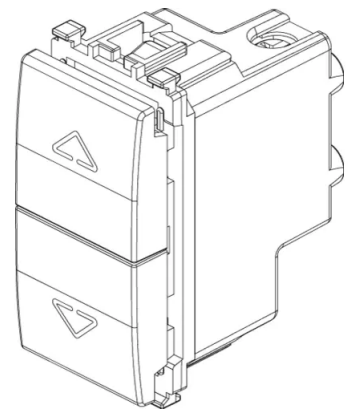
Drawings



Space view



Backside view



3D View



Gallery





VIMAR



energia positiva

- **Class:** Push-switch button
- **Assembly arrangement:** Modular device for domestic switching devices
- **Model:** Other
- **Method of operation:** Push button
- **Number of rockers:** 1
- **Number of modules (module system):** 1
- **Number of poles:** 1
- **Nominal voltage:** 250 v
- **Rated current:** 10,00 A
- **With lighting:** No
- **Feedback-signal contact:** No
- **Mounting method:** Flush mounted (plaster)
- **Type of fastening:** Engage (snap)

- **Material:** Plastic
- **Material quality:** Thermoplastic
- **Halogen free:** Yes
- **Surface protection:** Untreated
- **Surface finishing:** Matt
- **Colour:** White
- **RAL-number (similar):** 9016
- **Transparent:** No
- **Label space/information surface:** Yes
- **Suitable for degree of protection (IP):** IP40
- **Width of device:** 22,30 mm
- **Height of device:** 49,00 mm
- **Depth of device:** 39,00 mm

Certifications

- 00. CE Marking - EU
- 01. IMQ - Italy ([download](#))
- 10. EAC Eurasian Customs Union
- 14. TSE - Turkey ([download](#))
- 15. CCC - China ([download](#))
- 19. NOM - Mexico
- 28. NSW / RCM - Australia ([download](#))
- 29. QCERT - Colombia ([download](#))
- 31. TISI - Thailand
- 36. ISI - India
- 37. Marking - Morocco
- 96. Electrotechnical expert ([download](#))
- 99. WEEE Directive ([download](#))

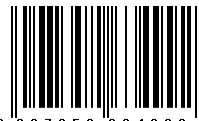
Packaging



8 007352 315679
Code 8007352315679
Quantity 1 NR
Dim. 4.1x2.8x5.3 [cm]
Weight 33.67 [g]



8 007352 315686
Code 8007352315686
Quantity 10 NR
Dim. 14.4x9x6 [cm]
Weight 371.73 [g]



8 007352 634992
Code 8007352634992
Quantity 160 NR
Dim. 57.5x22.5x30 [cm]
Weight 6,467 [g]

Legal

Vimar reserves the right to change at any time and without notice the characteristics of the products reported. Installation should be carried out by qualified staff in compliance with the current regulations regarding the installation of electrical equipment in the country where the products are installed. For the terms of use of the information on the product info sheet see [Conditions of Use](#).