



Eikon white: Two independent NO+NO 10A pushes white

20066.B

Eikon white / Devices / Devices - other functions

Two independent NO+NO 10A pushes white

Two independent push buttons, 1P NO + 1P NO 10 A 250 V~, white. They allow the simultaneous closing of the two circuits and are thus not suitable for reversing motors (roller blinds, gates, etc.)

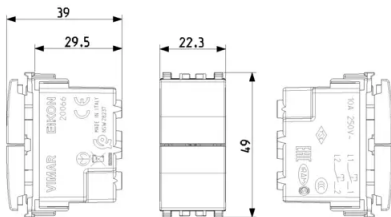
Product Status

3 - Active

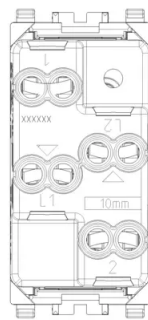
Minimum order quantity

10 NR

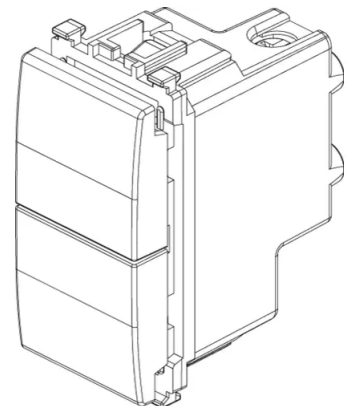
Drawings



Space view



Backside view



3D View





Technical data

- **Class group:** Domestic switching devices
- **Class:** Push-switch button
- **Assembly arrangement:** Modular device for domestic switching devices
- **Model:** Other
- **Method of operation:** Push button
- **Number of rockers:** 2
- **Number of modules (module system):** 1
- **Number of poles:** 1
- **Nominal voltage:** 250 v
- **Rated current:** 10,00 A
- **With lighting:** No
- **Feedback-signal contact:** No
- **Mounting method:** Flush mounted (plaster)
- **Type of fastening:** Engage (snap)
- **Material:** Plastic
- **Material quality:** Thermoplastic
- **Halogen free:** Yes
- **Surface protection:** Untreated
- **Surface finishing:** Matt
- **Colour:** White
- **RAL-number (similar):** 9016
- **Transparent:** No
- **Label space/information surface:** Yes
- **Suitable for degree of protection (IP):** IP40
- **Width of device:** 22,30 mm
- **Height of device:** 49,00 mm
- **Depth of device:** 39,00 mm

Certifications

- 00. CE Marking - EU
- 01. IMQ - Italy ([download](#))
- 10. EAC Eurasian Customs Union
- 14. TSE - Turkey ([download](#))
- 15. CCC - China ([download](#))
- 19. NOM - Mexico
- 28. NSW / RCM - Australia ([download](#))
- 29. QCERT - Colombia ([download](#))
- 31. TISI - Thailand
- 36. ISI - India
- 37. Marking - Morocco
- 92. RoHS UAE
- 96. Electrotechnical expert ([download](#))
- 99. WEEE Directive ([download](#))

Packaging



8 007352 315693
Code 8007352315693
Quantity 1 NR
Dim. 4.1x2.8x5.3 [cm]
Weight 33.2 [g]



8 007352 315709
Code 8007352315709
Quantity 10 NR
Dim. 14.4x9x6 [cm]
Weight 373 [g]



8 007352 637238
Code 8007352637238
Quantity 160 NR
Dim. 37.5x30x13.5 [cm]
Weight 6,268 [g]

Legal

Vimar reserves the right to change at any time and without notice the characteristics of the products reported. Installation should be carried out by qualified staff in compliance with the current regulations regarding the installation of electrical equipment in the country where the products are installed. For the terms of use of the information on the product info sheet see [Conditions of Use](#).