



Eikon Next: FADINGSHOW dimmer 230V Next

20139.N

Eikon Next / Devices / Electronic devices

FADINGSHOW dimmer 230V Next

FADING-SHOW dimmer 230 V~ 50 Hz for: RGB LED lamps, RGB LED electronic supply units (01876), ON/OFF and brightness control with built-in push button or from peripheral NO push buttons, color switching time control via rotary potentiometer, visible in darkness, Next. Not for Isoset enclosures

Product Status

3 - Active

Minimum order quantity

5 NR

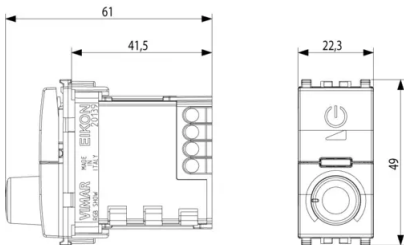
Sheets, Manuals, Documentation

- [Multilanguage instructions sheet \(1344 kb\)](#)

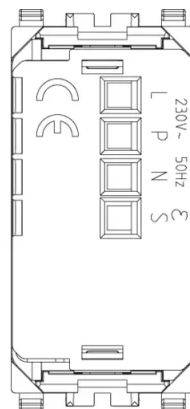
Video

- [New universal dimmers](#)

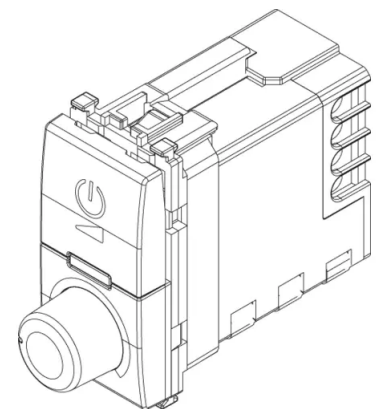
Drawings



Space view



Backside view



3D View





Technical data

- **Class group:** Domestic switching devices
- **Class:** Dimmer
- **Method of operation:** Turn button
- **Type of load:** Other
- **Applicable with button:** Yes
- **Applicable with movement sensor:** No
- **Applicable with presence indicator:** No
- **Applicable with time switch/timer:** No
- **Applicable with transmission button:** No
- **Applicable with infrared button:** No
- **Mounting method:** Flush mounted (plaster)
- **Type of fastening:** Snapper mounting
- **Material:** Plastic
- **Material quality:** Thermoplastic
- **Surface protection:** Lacquered
- **Surface finishing:** Matt
- **Colour:** Silver
- **RAL-number (similar):** 9022
- **Transparent:** No
- **Suitable for degree of protection (IP):** IP40
- **Nominal voltage:** 230,00 - 230,01 v
- **Frequency:** 50,00 - 50,01 HZ
- **Control voltage:** 230,00 - 230,01 v
- **Width of device:** 22,30 mm
- **Height of device:** 49,00 mm
- **Depth of device:** 61,00 mm

Certifications

- 00. CE Marking - EU
- 10. EAC Eurasian Customs Union
- 31. TISI - Thailand
- 37. Marking - Morocco
- 96. Electrotechnical expert ([download](#))
- 99. WEEE Directive ([download](#))

Packaging



8 007352 468924
Code 8007352468924
Quantity 1 NR
Dim. 5.2x3.9x6.2 [cm]
Weight 59.9 [g]



8 007352 468931
Code 8007352468931
Quantity 5 NR
Dim. 14.4x11.6x6 [cm]
Weight 343.1 [g]

Legal

Vimar reserves the right to change at any time and without notice the characteristics of the products reported. Installation should be carried out by qualified staff in compliance with the current regulations regarding the installation of electrical equipment in the country where the products are installed. For the terms of use of the information on the product info sheet see [Conditions of Use](#).