



## Eikon white: SET/RESET device white

### 20183.B

Eikon white / Devices / Electronic devices

#### SET/RESET device white

SET/RESET push button for emergency call system, visible in darkness, 2 NO 5 A 250 V~ relay outputs for acoustic and optical signalling, supply voltage 12 V~ 50-60 Hz or 12-24 V d.c. (SELV), white - 2 modules. SET with built-in or from peripheral NC push buttons connected in series. RESET with peripheral NC push buttons connected in series

#### Product Status

3 - Active

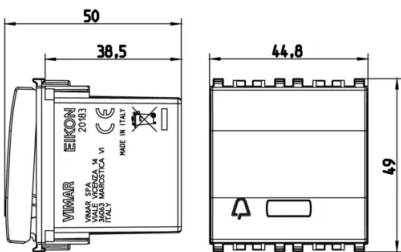
#### Minimum order quantity

1 NR

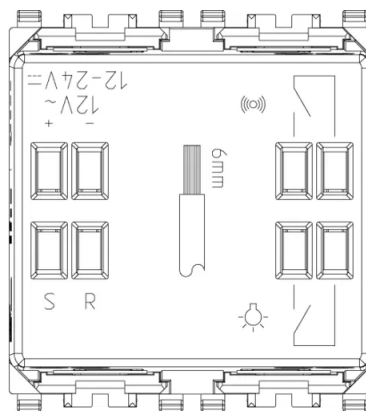
#### Sheets, Manuals, Documentation

- [Multilanguage instructions sheet \(722 kb\)](#)

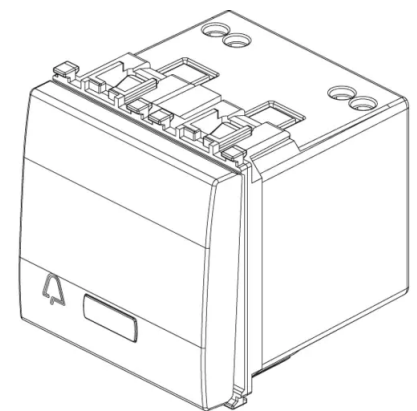
#### Drawings



Space view



Backside view



3D View





## Technical data

- **Class group:** Domestic switching devices
- **Class:** Electronic insert for domestic switching devices
- **Model:** Other
- **Assembly arrangement:** Modular device for domestic switching devices
- **Number of modules (module system):** 2
- **Radio-controlled:** No
- **Mounting method:** Flush mounted (plaster)
- **Type of fastening:** Engage (snap)
- **Material:** Plastic
- **Material quality:** Thermoplastic
- **Surface protection:** Untreated
- **Surface finishing:** Matt
- **Colour:** White
- **RAL-number (similar):** 9016
- **Transparent:** No

## Certifications

- 00. CE Marking - EU
- 10. EAC Eurasian Customs Union
- 37. Marking - Morocco
- 96. Electrotechnical expert ([download](#))
- 99. WEEE Directive ([download](#))

## Packaging



8 0 0 7 3 5 2 3 1 6 2 6 3  
**Code** 8007352316263  
**Quantity** 1 NR  
**Dim.** 11.2x9.6x9.8 [cm]  
**Weight** 148.73 [g]

## Legal

Vimar reserves the right to change at any time and without notice the characteristics of the products reported. Installation should be carried out by qualified staff in compliance with the current regulations regarding the installation of electrical equipment in the country where the products are installed. For the terms of use of the information on the product info sheet see [Conditions of Use](#).