



Eikon Next: 2P+E 10A P11 outlet Next

20201.N

Eikon Next / Devices / Italian standard socket outlets

2P+E 10A P11 outlet Next

2P+E 10 A 250 V~ SICURY socket outlet, Italian standard P11, Next

Product Status

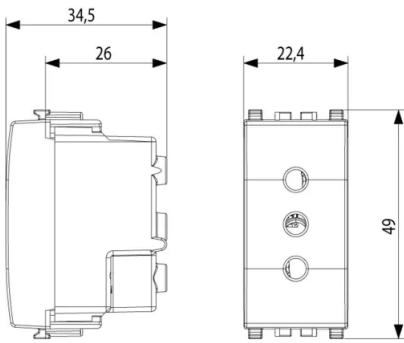
3 - Active

Minimum order quantity

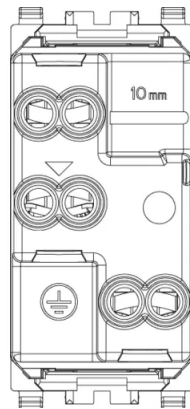
50 NR



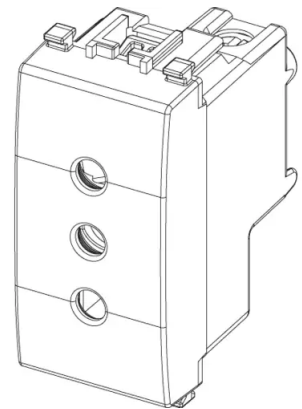
Drawings



Space view



Backside view



3D View



Technical data

- **Class group:** Domestic switching devices
- **Class:** Socket outlet
- **Model:** Italian type P11
- **With built-in USB power supply:** No
- **Number of units:** 1
- **Number of modules (module system):** 1
- **Number of socket outlets switchable:** 0
- **Imprint/indication:** None
- **Connection type:** Screwed terminal
- **With hinged lid:** No
- **With enhanced contact protection:** Yes
- **Label space/information surface:** Yes
- **Colour:** Silver
- **RAL-number (similar):** 9022
- **Metallic colour:** No
- **Transparent:** No
- **Lockable:** No
- **Eject-mechanism:** No
- **Insulated mounting:** No
- **With function lighting:** No
- **Over voltage protection:** No
- **Fault current protection:** No
- **Mounting method:** Flush mounted (plaster)
- **Material:** Plastic
- **Material quality:** Thermoplastic
- **Halogen free:** Yes
- **Surface protection:** Lacquered
- **Surface finishing:** Matt
- **With on/off switch:** No
- **With loop through function:** No
- **Rotated central insert:** No
- **Nominal current:** 10 A
- **Nominal voltage:** 250 v
- **Frequency:** 50,00 - 60,00 HZ
- **Suitable for degree of protection (IP):** IP20
- **Impact strength:** Other
- **Width of device:** 22,30 mm
- **Height of device:** 49,00 mm
- **Depth of device:** 25,00 mm

Certifications

- 00. CE Marking - EU
- 01. IMQ - Italy ([download](#))
- 10. EAC Eurasian Customs Union
- 19. NOM - Mexico
- 37. Marking - Morocco
- 99. WEEE Directive ([download](#))

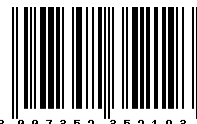
Packaging



8 0 0 7 3 5 2 2 8 5 7 7 4
Code 8007352285774
Quantity 1 NR
Dim. 4.1x2.8x5.3 [cm]
Weight 31.13 [g]



8 0 0 7 3 5 2 2 8 5 7 8 1
Code 8007352285781
Quantity 50 NR
Dim. 21.6x11.6x14.3 [cm]
Weight 1,667.2 [g]



8 0 0 7 3 5 2 3 5 2 1 9 3
Code 8007352352193
Quantity 500 NR
Dim. 57.5x22.5x30 [cm]
Weight 15,566.67 [g]



8 0 0 7 3 5 2 3 5 2 2 0 9
Code 8007352352209
Quantity 10,500 NR
Dim. 80x120x103 [cm]
Weight 332,900 [g]

Legal

Vimar reserves the right to change at any time and without notice the characteristics of the products reported. Installation should be carried out by qualified staff in compliance with the current regulations regarding the installation of electrical equipment in the country where the products are installed. For the terms of use of the information on the product info sheet see [Conditions of Use](#).