



## Net Safe: RJ45 Cat5e Netsafe UTP outlet grey

**20338.8**

Net Safe / Copper / RJ/EDP socket outlets

### RJ45 Cat5e Netsafe UTP outlet grey

RJ45 outlet with Netsafe connector, Cat. 5e, unshielded, T568A/B universal wiring, 8 contacts, insulation-piercing terminals without tool use, grey

### Product Status

3 - Active

### Minimum order quantity

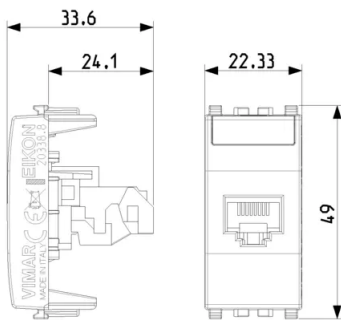
10 NR

### Sheets, Manuals, Documentation

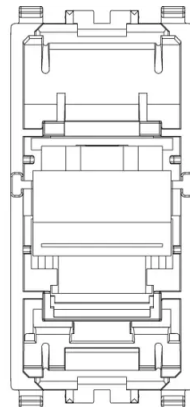
- [Multilanguage instructions sheet \(276 kb\)](#)



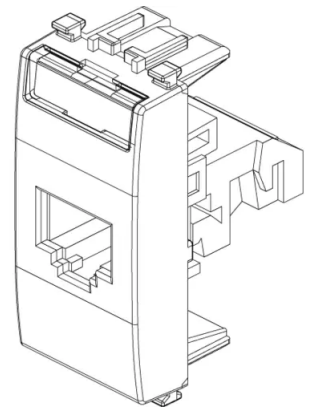
## Drawings



Space view



Backside view



3D View

## Gallery



## Technical data

- **Class group:** Data and telecommunication
- **Class:** Modular connector
- **Model:** Bus (jack)
- **Type of connector:** RJ45 8(8)
- **Screened:** No
- **Category:** 5E
- **Connection type:** Crimp
- **Special tool necessary:** No
- **Suitable for round cable:** Yes
- **Suitable for flat cable:** No
- **Suitable for litz wire conductor:** No
- **Suitable for solid core:** No
- **Colour:** Other
- **AWG-range:** 23 - 24

## Certifications

- 00. CE Marking - EU
- 10. EAC Eurasian Customs Union
- 99. WEEE Directive ([download](#))

## Packaging



8 007352 250178  
**Code** 8007352250178  
**Quantity** 1 NR  
**Dim.** 5.1x2.8x5.3 [cm]  
**Weight** 16.33 [g]



8 007352 250185  
**Code** 8007352250185  
**Quantity** 10 NR  
**Dim.** 14.4x11.6x6 [cm]  
**Weight** 212.47 [g]

## Legal

Vimar reserves the right to change at any time and without notice the characteristics of the products reported. Installation should be carried out by qualified staff in compliance with the current regulations regarding the installation of electrical equipment in the country where the products are installed. For the terms of use of the information on the product info sheet see [Conditions of Use](#).