



Eikon white: 12V 50-60Hz bell white

20370.B

Eikon white / Devices / Acoustic signalling

12V 50-60Hz bell white

Bell, 12 V~ (SELV) 50-60 Hz, white

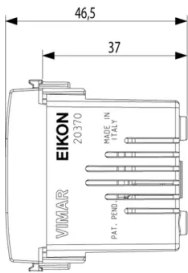
Product Status

3 - Active

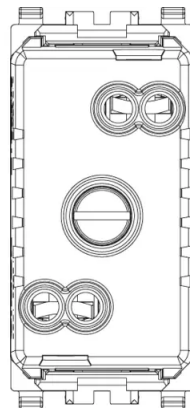
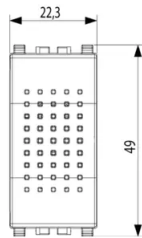
Minimum order quantity

10 NR

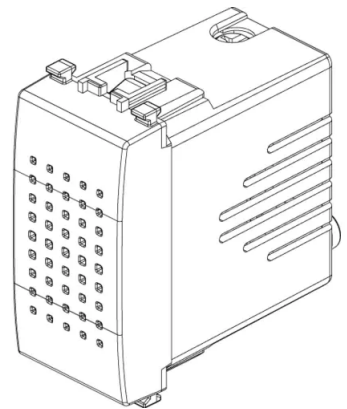
Drawings



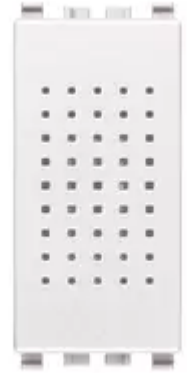
Space view



Backside view



3D View



Technical data

- **Class group:** Optical and acoustic signalling equipment
- **Class:** Bell
- **Colour housing:** White
- **Material housing:** Plastic
- **Loudness:** 70 dB
- **Nominal voltage:** 12,00 - 12,01 V
- **Degree of protection (IP):** IP40
- **Type of current:** AC
- **Built-in battery:** No
- **Mounting method:** Flush mounted (plaster)
- **Width in number of modular spacings:** 1
- **Wireless:** No

Certifications

- 00. CE Marking - EU
- 10. EAC Eurasian Customs Union
- 99. WEEE Directive ([download](#))



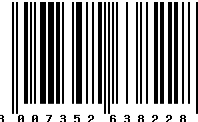
Packaging



8 0 0 7 3 5 2 3 1 4 4 9 8
Code 8007352314498
Quantity 1 NR
Dim. 5.1x2.8x5.3 [cm]
Weight 59.6 [g]



8 0 0 7 3 5 2 3 1 4 5 0 4
Code 8007352314504
Quantity 10 NR
Dim. 14.4x11.6x6 [cm]
Weight 641.47 [g]



8 0 0 7 3 5 2 6 3 8 2 2 8
Code 8007352638228
Quantity 120 NR
Dim. 36.5x33x13.5 [cm]
Weight 8,112 [g]

Legal

Vimar reserves the right to change at any time and without notice the characteristics of the products reported. Installation should be carried out by qualified staff in compliance with the current regulations regarding the installation of electrical equipment in the country where the products are installed. For the terms of use of the information on the product info sheet see [Conditions of Use](#).