



Eikon Next: 3-sound-sequence chime 12V Next

20380.N

Eikon Next / Devices / Acoustic signalling

3-sound-sequence chime 12V Next

3-sound-sequence electronic chime (three-tone, two-tone, buzzer), adjustable volume, supply voltage 12 V~ 50-60 Hz or 12 Vdc (SELV), Next - 2 modules

Product Status

3 - Active

Minimum order quantity

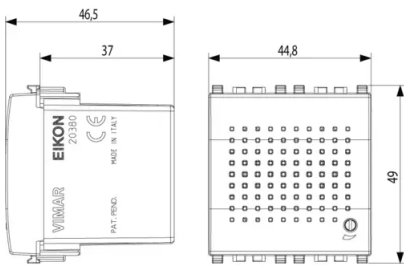
5 NR

Sheets, Manuals, Documentation

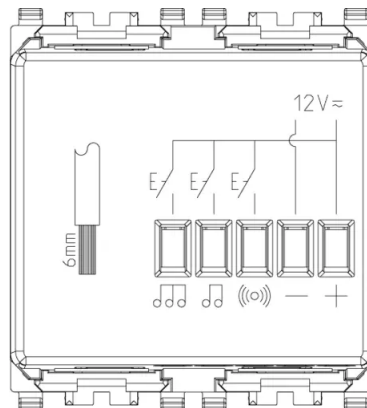
- [Multilanguage instructions sheet \(582 kb\)](#)
- [Sound-sequence \(412 kb\)](#)



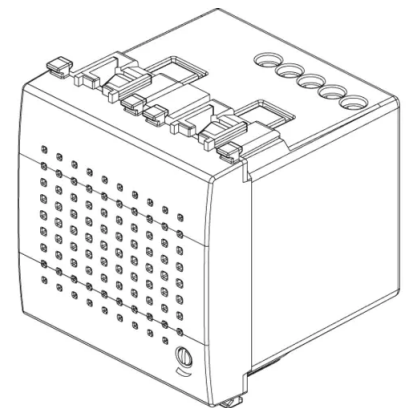
Drawings



Space view



Backside view



3D View

Technical data

- **Class group:** Optical and acoustic signalling equipment
- **Class:** Bell
- **Colour housing:** Grey
- **Material housing:** Plastic
- **Loudness:** 70 dB
- **Nominal voltage:** 12,00 - 12,01 v
- **Degree of protection (IP):** IP40
- **Type of current:** AC/DC
- **Built-in battery:** No
- **Mounting method:** Flush mounted (plaster)
- **Width in number of modular spacings:** 2
- **Wireless:** No



Certifications

- 00. CE Marking - EU
- 10. EAC Eurasian Customs Union
- 37. Marking - Morocco
- 96. Electrotechnical expert ([download](#))
- 99. WEEE Directive ([download](#))

Packaging



8 0 0 7 3 5 2 2 8 7 4 4 0
Code 8007352287440
Quantity 1 NR
Dim. 6x5.4x5.3 [cm]
Weight 82.93 [g]



8 0 0 7 3 5 2 2 8 7 4 5 7
Code 8007352287457
Quantity 5 NR
Dim. 17.2x13.1x6 [cm]
Weight 479.33 [g]

Legal

Vimar reserves the right to change at any time and without notice the characteristics of the products reported. Installation should be carried out by qualified staff in compliance with the current regulations regarding the installation of electrical equipment in the country where the products are installed. For the terms of use of the information on the product info sheet see [Conditions of Use](#).