



## Eikon Next: 1P 16A fuse carrier Next

**20416.N**

Eikon Next / Devices / Protection

### 1P 16A fuse carrier Next

1P 16 A 250 V~ fuse carrier for  $\varnothing$  5x20 mm and  $\varnothing$  6,3x32 mm miniature fuses, Next. Provided without fuse

### Product Status

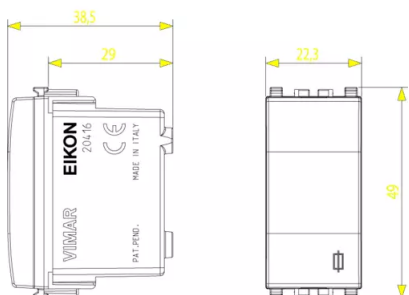
3 - Active

### Minimum order quantity

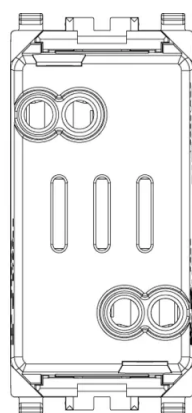
20 NR



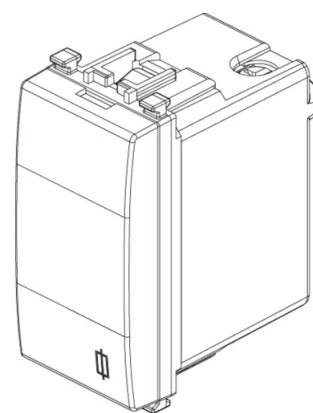
## Drawings



Space view



Backside view



3D View

## Gallery





## Technical data

- **Class group:** Circuit breakers and fuses
- **Class:** Holder for cylindrical fuse
- **For fuse size:** Other
- **Number of poles:** 1
- **Concurrently switching neutral conductor:** No

## Certifications

- 00. CE Marking - EU
- 10. EAC Eurasian Customs Union
- 37. Marking - Morocco
- 96. Electrotechnical expert ([download](#))
- 99. WEEE Directive ([download](#))

## Packaging



8 0 0 7 3 5 2 2 8 6 4 6 7  
**Code** 8007352286467

**Quantity** 1 NR  
**Dim.** 4.1x2.8x5.3 [cm]  
**Weight** 27.4 [g]



8 0 0 7 3 5 2 2 8 6 4 7 4  
**Code** 8007352286474

**Quantity** 20 NR  
**Dim.** 21.4x11.6x6 [cm]  
**Weight** 608.93 [g]

## Legal

Vimar reserves the right to change at any time and without notice the characteristics of the products reported. Installation should be carried out by qualified staff in compliance with the current regulations regarding the installation of electrical equipment in the country where the products are installed. For the terms of use of the information on the product info sheet see [Conditions of Use](#).