



Eikon Next: Axial button 1M customizable Next

20131.0.N

Eikon Next / Devices / Basic devices

Axial button 1M customizable Next

Interchangeable 1-module button, customizable and lightable, for axial switches, Next

Product Status

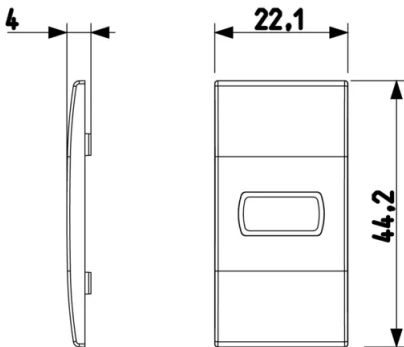
3 - Active

Minimum order quantity

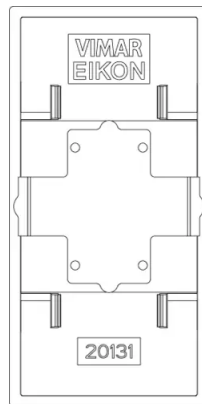
5 NR



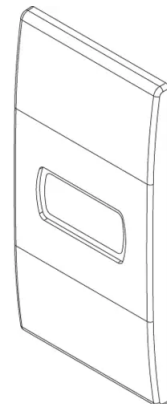
Drawings



Space view



Backside view



3D View

Technical data

- **Class group:** Domestic switching devices
- **Class:** Control element/cover plate for domestic switching devices
- **Model:** Single push button
- **Imprint/indication:** Label space
- **Utilization:** Switch/push button
- **Suitable for touch sensor connector for bus system:** No
- **Type of fastening:** Clamp mounting
- **Monitoring window/light outlet:** Yes
- **Material:** Plastic
- **Material quality:** Thermoplastic
- **Halogen free:** Yes
- **Surface protection:** Lacquered
- **Surface finishing:** Matt
- **Colour:** Silver
- **RAL-number (similar):** 9022
- **With label area:** No
- **With exchangeable lens/symbol:** No
- **Suitable for degree of protection (IP):** IP40
- **Depth:** 400 mm



Certifications

- 96. Electrotechnical expert ([download](#))

Packaging



8 007352 463981
Code 8007352463981
Quantity 1 NR
Dim. 2.2x4.4x0.4 [cm]
Weight 1.96 [g]



8 007352 463998
Code 8007352463998
Quantity 5 NR
Dim. 6.6x4.4x0.8 [cm]
Weight 9.8 [g]



8 007352 464001
Code 8007352464001
Quantity 25 NR
Dim. 14.2x6.7x5.9 [cm]
Weight 79.4 [g]

Legal

Vimar reserves the right to change at any time and without notice the characteristics of the products reported. Installation should be carried out by qualified staff in compliance with the current regulations regarding the installation of electrical equipment in the country where the products are installed. For the terms of use of the information on the product info sheet see [Conditions of Use](#).