



Eikon Next: 2P+E 16A German SICURY outlet+cover N

20208.C.N

Eikon Next / Devices / Other standards socket outlets

2P+E 16A German SICURY outlet+cover N

2P+E 16 A 250 V~ SICURY socket outlet, German standard, with cover, Next - 2 modules

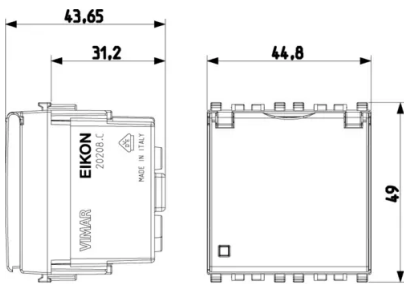
Product Status

3 - Active

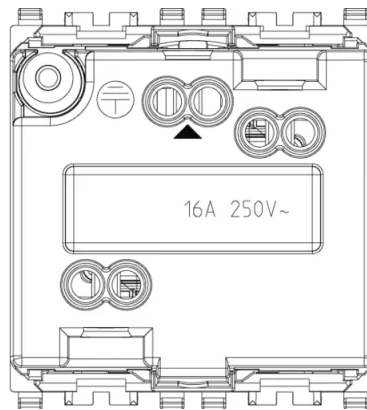
Minimum order quantity

10 NR

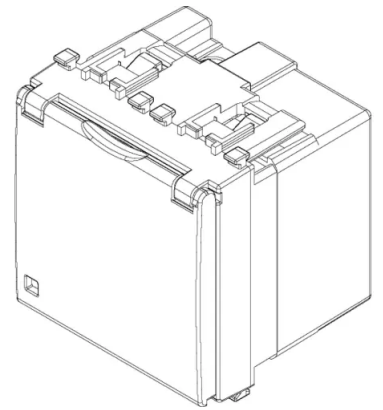
Drawings



Space view



Backside view



3D View





Technical data

- **Class group:** Domestic switching devices
- **Class:** Socket outlet
- **Model:** Protective contact (SCHUKO)
- **With built-in USB power supply:** No
- **Number of units:** 1
- **Number of modules (module system):** 2
- **Number of socket outlets switchable:** 0
- **Imprint/indication:** None
- **Connection type:** Screwed terminal
- **With hinged lid:** Yes
- **With enhanced contact protection:** Yes
- **Label space/information surface:** Yes
- **Colour:** Silver
- **RAL-number (similar):** 9022
- **Metallic colour:** No
- **Transparent:** No
- **Lockable:** No
- **Eject-mechanism:** No
- **Insulated mounting:** No
- **With function lighting:** Yes
- **Over voltage protection:** No
- **Fault current protection:** No
- **Mounting method:** Flush mounted (plaster)
- **Material:** Plastic
- **Material quality:** Thermoplastic
- **Halogen free:** Yes
- **Surface protection:** Lacquered
- **Surface finishing:** Matt
- **With on/off switch:** No
- **With loop through function:** No
- **Rotated central insert:** No
- **Nominal current:** 16 A
- **Nominal voltage:** 250 v
- **Frequency:** 50,00 - 60,00 HZ
- **Suitable for degree of protection (IP):** IP20
- **Impact strength:** Other
- **Width of device:** 44,80 mm
- **Height of device:** 49,00 mm
- **Depth of device:** 38,90 mm

Certifications

- 00. CE Marking - EU
- 00. CE Marking - EU
- 09. VDE - Germany ([download](#))
- 10. EAC Eurasian Customs Union
- 12. AENOR - Spain ([download](#))
- 12. AENOR - Spain ([download](#))
- 14. TSE - Turkey ([download](#))
- 19. NOM - Mexico
- 37. Marking - Morocco
- 99. WEEE Directive ([download](#))

Packaging



8 007352 431768
Code 8007352431768
Quantity 1 NR
Dim. 5.1x4.3x5.3 [cm]
Weight 52.1 [g]



8 007352 431775
Code 8007352431775
Quantity 10 NR
Dim. 26.9x11.6x4.9 [cm]
Weight 586.6 [g]

Legal

Vimar reserves the right to change at any time and without notice the characteristics of the products reported. Installation should be carried out by qualified staff in compliance with the current regulations regarding the installation of electrical equipment in the country where the products are installed. For the terms of use of the information on the product info sheet see [Conditions of Use](#).