



Net Safe: RJ45 Cat5e Netsafe UTP outlet Next

20338.8.N

Net Safe / Copper / RJ/EDP socket outlets

RJ45 Cat5e Netsafe UTP outlet Next

RJ45 outlet with Netsafe connector, Cat. 5e, unshielded, T568A/B universal wiring, 8 contacts, insulation-piercing terminals without tool use, Next

Product Status

3 - Active

Minimum order quantity

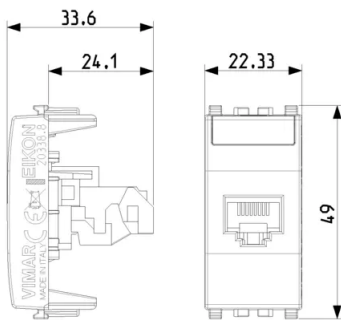
10 NR

Sheets, Manuals, Documentation

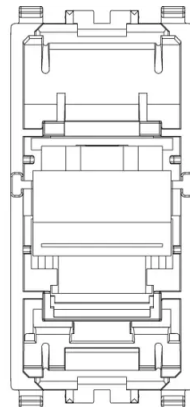
- [Multilanguage instructions sheet \(276 kb\)](#)



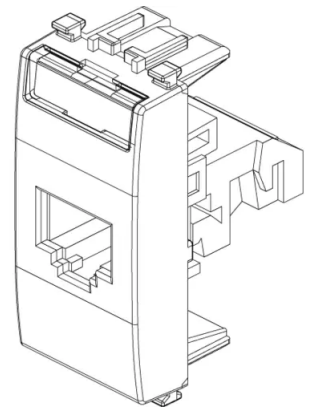
Drawings



Space view



Backside view



3D View

Gallery



Technical data

- **Class group:** Data and telecommunication
- **Class:** Modular connector
- **Model:** Bus (jack)
- **Type of connector:** RJ45 8(8)
- **Screened:** No
- **Category:** 5E
- **Connection type:** Crimp
- **Special tool necessary:** No
- **Suitable for round cable:** Yes
- **Suitable for flat cable:** No
- **Suitable for litz wire conductor:** No
- **Suitable for solid core:** No
- **Colour:** Silver
- **AWG-range:** 23 - 24

Certifications

- 00. CE Marking - EU
- 10. EAC Eurasian Customs Union
- 99. WEEE Directive ([download](#))

Packaging



8 007352 290150
Code 8007352290150
Quantity 1 NR
Dim. 5.1x2.8x5.3 [cm]
Weight 17.07 [g]



8 007352 298167
Code 8007352290167
Quantity 10 NR
Dim. 14.4x11.6x6 [cm]
Weight 218.47 [g]



8 007352 639492
Code 8007352639492
Quantity 120 NR
Dim. 36.5x33x13.5 [cm]
Weight 3,036 [g]

Legal

Vimar reserves the right to change at any time and without notice the characteristics of the products reported. Installation should be carried out by qualified staff in compliance with the current regulations regarding the installation of electrical equipment in the country where the products are installed. For the terms of use of the information on the product info sheet see [Conditions of Use](#).