



## Eikon white: TV-RD-SAT single-conn.outlet white

**20300.01.B**

Eikon white / Devices / 1-outlet TV/RD/SAT socket outlets

### TV-RD-SAT single-conn.outlet white

Coaxial TV-RD-SAT 5-2400 MHz socket outlet, single connection, with male connector, connection attenuation 1 dB, white. Allows the passage of d.c. current and control signals (24 V 500 mA max)

### Product Status

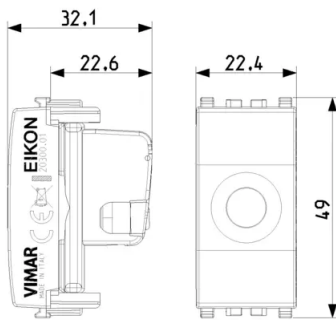
3 - Active

### Minimum order quantity

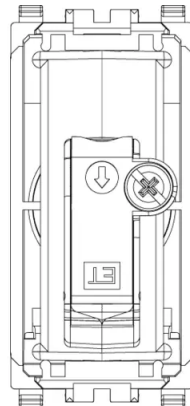
20 NR



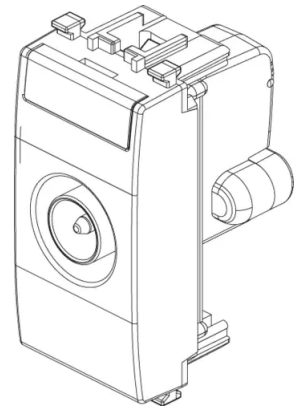
### Drawings



Space view



Backside view



3D View

### Gallery





## Technical data

- **Class group:** Antenna and satellite technique
- **Class:** Antenna socket box
- **Model:** End socket
- **Cover:** None
- **Tap loss at 860 MHz:** 0,10 dB
- **Tap loss at 2150 MHz:** 0,20 dB
- **Number of outlets:** 1
- **Suitable for remote power supply:** Yes
- **Frequency:** 5 - 2400 MHz
- **Type of fastening:** Snap mounting (engagement)
- **Colour:** White
- **RAL-number (similar):** 9016
- **Material:** Plastic

## Certifications

- 00. CE Marking - EU
- 00. CE Marking - EU
- 10. EAC Eurasian Customs Union
- 37. Marking - Morocco
- 92. RoHS UAE
- 99. WEEE Directive ([download](#))

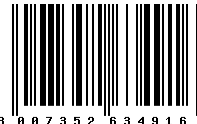
## Packaging



8 007352 314351  
**Code** 8007352314351  
**Quantity** 1 NR  
**Dim.** 4.1x2.8x5.3 [cm]  
**Weight** 39.2 [g]



8 007352 314368  
**Code** 8007352314368  
**Quantity** 20 NR  
**Dim.** 21.4x11.6x6 [cm]  
**Weight** 841 [g]



8 007352 634916  
**Code** 8007352634916  
**Quantity** 200 NR  
**Dim.** 30.5x25.5x22.5 [cm]  
**Weight** 9,210 [g]

## Legal

Vimar reserves the right to change at any time and without notice the characteristics of the products reported. Installation should be carried out by qualified staff in compliance with the current regulations regarding the installation of electrical equipment in the country where the products are installed. For the terms of use of the information on the product info sheet see [Conditions of Use](#).