



Net Safe: RJ45 Cat5e Netsafe UTP outlet white

20339.11.B

Net Safe / Copper / RJ/EDP socket outlets

RJ45 Cat5e Netsafe UTP outlet white

RJ45 outlet with Netsafe connector, Cat. 5e, unshielded, T568A/B universal wiring, 8 contacts, insulation-piercing terminals without tool use, white

Product Status

3 - Active

Minimum order quantity

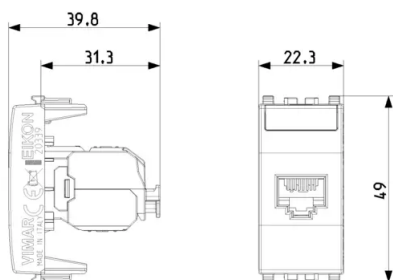
10 NR

Sheets, Manuals, Documentation

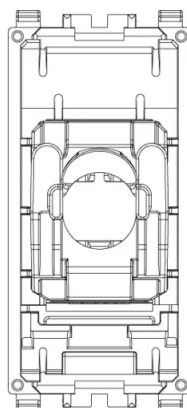
- [Multilanguage instructions sheet \(626 kb\)](#)



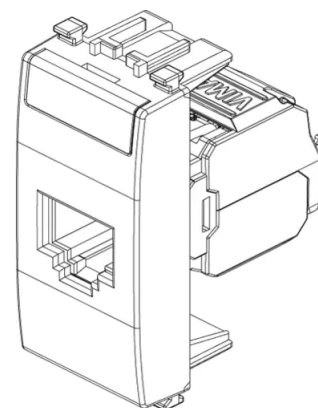
Drawings



Space view



Backside view



3D View

Gallery



Technical data

- **Class group:** Data and telecommunication
- **Class:** Modular connector
- **Model:** Bus (jack)
- **Type of connector:** RJ45 8(8)
- **Screened:** No
- **Category:** 5E
- **Connection type:** Crimp
- **Special tool necessary:** No
- **Suitable for round cable:** Yes
- **Suitable for flat cable:** No
- **Suitable for litz wire conductor:** No
- **Suitable for solid core:** No
- **Colour:** White
- **AWG-range:** 23 - 26

Certifications

- 00. CE Marking - EU
- 00. CE Marking - EU
- 10. EAC Eurasian Customs Union
- 24. FORCE Certificate ([download](#))
- 99. WEEE Directive ([download](#))

Packaging



8 007352 463394
Code 8007352463394
Quantity 1 NR
Dim. 5.1x4.3x5.3 [cm]
Weight 19.8 [g]



8 007352 463400
Code 8007352463400
Quantity 10 NR
Dim. 26.9x11.6x4.9 [cm]
Weight 278.5 [g]



8 007352 637573
Code 8007352637573
Quantity 200 NR
Dim. 47.5x27x29 [cm]
Weight 5,870 [g]

Legal

Vimar reserves the right to change at any time and without notice the characteristics of the products reported. Installation should be carried out by qualified staff in compliance with the current regulations regarding the installation of electrical equipment in the country where the products are installed. For the terms of use of the information on the product info sheet see [Conditions of Use](#).