



Net Safe: RJ45 Cat6A Netsafe FTP outlet white

20339.16.B

Net Safe / Copper / RJ/EDP socket outlets

RJ45 Cat6A Netsafe FTP outlet white

RJ45 outlet with Netsafe connector, Cat. 6A, shielded, T568A/B universal wiring, 8 contacts, insulation-piercing terminals without tool use, white

Product Status

3 - Active

Minimum order quantity

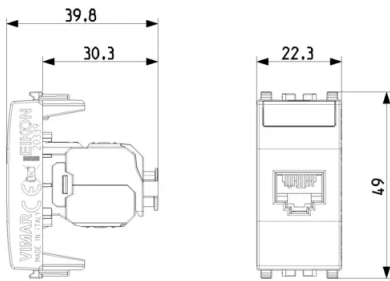
10 NR

Sheets, Manuals, Documentation

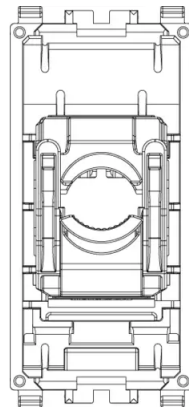
- [Multilanguage instructions sheet \(642 kb\)](#)



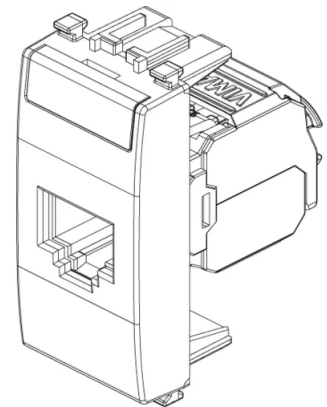
Drawings



Space view



Backside view



3D View

Technical data

- **Class group:** Data and telecommunication
- **Class:** Modular connector
- **Model:** Bus (jack)
- **Type of connector:** RJ45 8(8)
- **Screened:** Yes
- **Category:** 6A (IEC)
- **Connection type:** Crimp
- **Special tool necessary:** No
- **Suitable for round cable:** Yes
- **Suitable for flat cable:** No
- **Suitable for litz wire conductor:** No
- **Suitable for solid core:** No
- **Colour:** White
- **AWG-range:** 23 - 26



Certifications

- 00. CE Marking - EU
- 10. EAC Eurasian Customs Union
- 24. FORCE Certificate ([download](#))
- 99. WEEE Directive ([download](#))

Packaging



8 0 0 7 3 5 2 4 6 4 6 6 7
Code 8007352464667
Quantity 1 NR
Dim. 5.1x4.3x5.3 [cm]
Weight 34.3 [g]



8 0 0 7 3 5 2 4 6 4 6 7 4
Code 8007352464674
Quantity 10 NR
Dim. 26.9x11.6x4.9 [cm]
Weight 409.9 [g]

Legal

Vimar reserves the right to change at any time and without notice the characteristics of the products reported. Installation should be carried out by qualified staff in compliance with the current regulations regarding the installation of electrical equipment in the country where the products are installed. For the terms of use of the information on the product info sheet see [Conditions of Use](#).