



Terminal block, 1 pole, 160A, 6 output terminals

Part no. **BPZ-KB-6/160**

Catalog No. **289970**

EL-Nummer (Norway) **2456094**

### Delivery program

Mounting type			Floor standing distribution board Surface mounted Flush mounted
Degree of Protection			IP20
Mounting position			universal
Number of poles			1 pole
Width		mm	35
Depth		mm	50
Height		mm	92
Number of clamping units per pole			7
Rated device current		A	160

### Technical data

#### General

Standards			IEC 60 947 -7 -1 UL 1059
RoHS (in accordance with Directive 2002/95/EC of the European Parliament and Council)			conform
Heat deflection temperature		°C	100
UL 94 flame classification			V-0
Comparative tracking index		V	600
Degree of Protection			IP20
Assembly details			Clicks on DIN-rail or on base plate. Save time on wiring. Save 80% on space used. Modular construction, 1-4 pole Systems can be built with several blocks.

#### Electrical

IEC			
Max. electrical load / Cu		A	160
Max. operating voltage / Cu		V AC	1000
Max. operating voltage / Cu		V DC	1500
UL			
Max. electrical load / Cu		A	160
Max. operating voltage / Cu		V AC	600
CSA			
Max. electrical load / Cu		A	160
Max. operating voltage / Cu		V AC	600
Rated peak withstand current	$I_{pk}$	kA	30
Rated short-time withstand current (t=1s)	$I_{cw}$	kA	11

#### Material characteristics

Material			
Clamping body			Brass
Housing			PA66
Hexagon socket set screw			Steel
Surface finish			
Clamping body			Plain
Hexagon socket set screw			Zn-Plated
Colour			
Housing			grey, RAL 7035

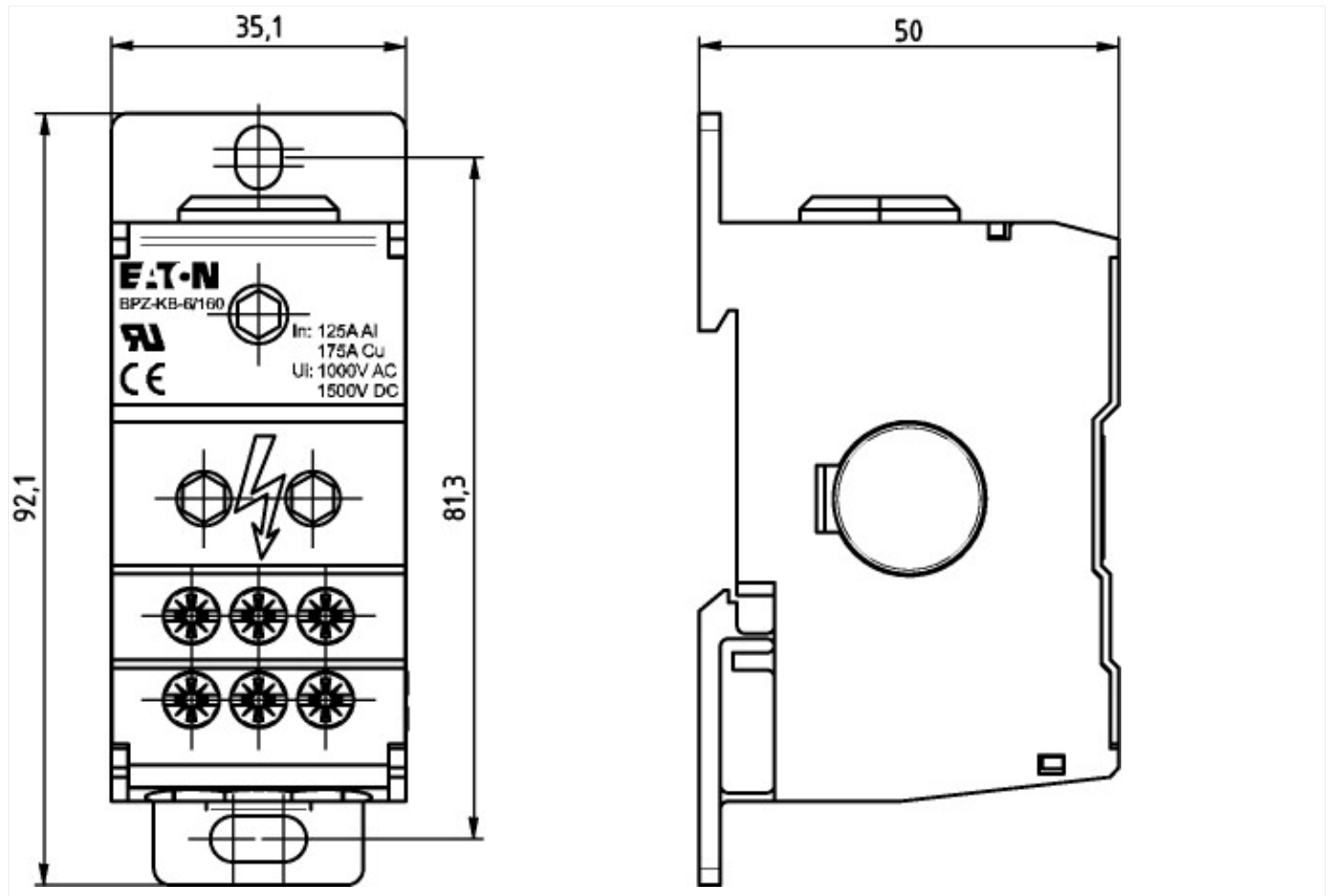
## Terminal capacity

Incomer			
single wire/multi wire		mm <sup>2</sup>	10 - 70
single wire/multi wire		AWG	8 - 2/0
fine wire (with sleeve)		mm <sup>2</sup>	10 - 50
fine wire (with sleeve)		AWG	8 - 1
Torque		N/m	5 - 6
Torque		lbf	44 - 53
Outgoings			
single wire/multi wire		mm <sup>2</sup>	2.5 - 16
single wire/multi wire		AWG	14 - 6
fine wire (with sleeve)		mm <sup>2</sup>	2.5 - 16
fine wire (with sleeve)		AWG	14 - 6
Torque		N/m	1.5 - 3
Torque		lbf	13.2 - 26.5

## Technical data ETIM 7.0

Energy distribution systems (EG000015) / Distributor assembly terminal blocks (EC001894)			
Electric engineering, automation, process control engineering / Electrical insulation and connecting material / Energy distribution system / Distributor assembly terminal blocks (ec1@ss10.0.1-27-40-06-09 [AC0381011])			
Height		mm	92.1
Width		mm	35.1
Depth		mm	50
Max. rated current		A	160
Number of poles			1
Conductor cross section flexible (fine-strand) with cable end sleeve		mm <sup>2</sup>	2.5 - 70
Conductor cross section solid (solid, stranded)		mm <sup>2</sup>	2.5 - 70
Number of clamp positions per pole			7
With PE-rail			No
With N-rail			No

## Dimensions



## Additional product information (links)

Product overview (Web)

<http://www.eaton.eu/Europe/Electrical/ProductsServices>