



Neve Up: Frame 3M +screws

09613

Neve Up / Mounting frames / For rectangular boxes

Frame 3M +screws

3-module mounting frame, with screws, for 3-module mounting boxes

Product Status

3 - Active

Minimum order quantity

10 NR



You may also be interested in



07935.1 - Screw for frame fixing - 24mm



07937 - Screw for frame fixing - 35mm



07939 - Screw for frame fixing - 50 mm



09614 - Frame 4M +screws



09617 - Frame 7M +screws



09623 - Mounting frame Plana/Neve+screws



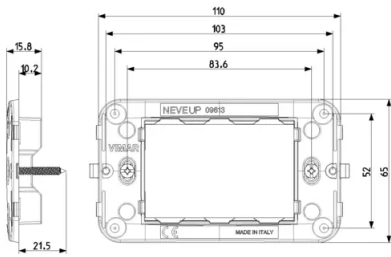
09606 - Horizontal frame 2centralM+screws



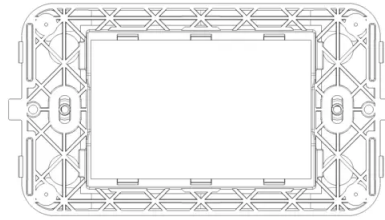
09607 - Vertical frame 2centralM+screws



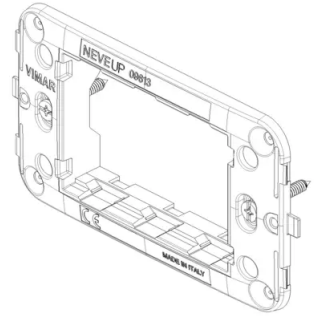
Drawings



Space view



Backside view



3D View

Technical data

- **Class group:** Domestic switching devices
- **Class:** Holder for modular domestic switching devices
- **Model:** Flush mounted (plaster)
- **Mounting method:** Mounting with screw
- **Mounting method of the module inserts:** Front side
- **Mounting direction:** Horizontal and vertical
- **Number of modules horizontal (module system):** 3
- **Number of modules vertical (module system):** 1
- **With built-in installation box:** No
- **With screws:** Yes
- **Suitable for mounting in round junction box 60 mm:** No
- **Flush-mounted installation:** Yes
- **Suitable for floor box:** No
- **Suitable for wall duct:** No
- **Suitable for mounting on DIN-rail 35 mm:** No
- **Material:** Plastic
- **Material quality:** Thermoplastic

Certifications

- 00. CE Marking - EU
- 29. QCERT - Colombia ([download](#))
- 37. Marking - Morocco
- 96. Electrotechnical expert ([download](#))

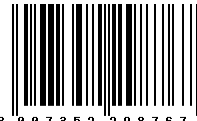
Packaging



Code 8007352298750
 Quantity 1 NR
 Dim. 11.8x6.5x1.7 [cm]
 Weight 20.27 [g]



Code 8007352298941
 Quantity 10 NR
 Dim. 11.8x6.5x17 [cm]
 Weight 204.53 [g]



Code 8007352298767
 Quantity 200 NR
 Dim. 35x33.5x24.5 [cm]
 Weight 4,644 [g]

Legal

Vimar reserves the right to change at any time and without notice the characteristics of the products reported. Installation should be carried out by qualified staff in compliance with the current regulations regarding the installation of electrical equipment in the country where the products are installed. For the terms of use of the information on the product info sheet see [Conditions of Use](#).