



Neve Up: Mounting frame Plana/Neve+screws

09623

Neve Up / Mounting frames / For rectangular boxes

Mounting frame Plana/Neve+screws

3-module mounting frame with screws, for the installation of Plana devices in Neve cover plates, for 3-module mounting boxes

Product Status

3 - Active

Minimum order quantity

20 NR



You may also be interested in



07935.1 - Screw for frame fixing - 24mm



07937 - Screw for frame fixing - 35mm

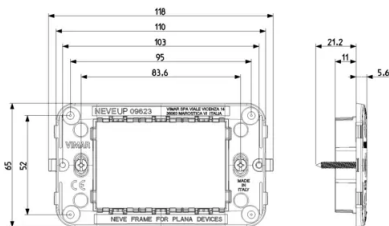


07939 - Screw for frame fixing - 50 mm

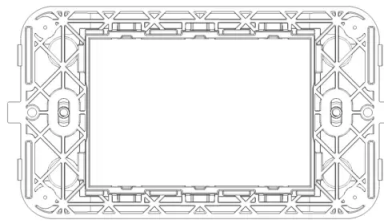


09613 - Frame 3M +screws

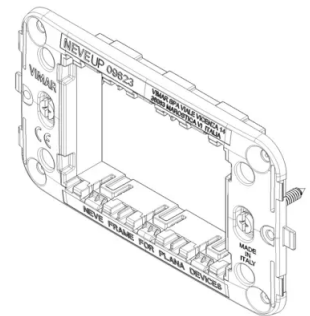
Drawings



Space view



Backside view



3D View



Technical data

- **Class group:** Domestic switching devices
- **Class:** Holder for modular domestic switching devices
- **Model:** Flush mounted (plaster)
- **Mounting method:** Mounting with screw
- **Mounting method of the module inserts:** Front side
- **Mounting direction:** Horizontal and vertical
- **Number of modules horizontal (module system):** 3
- **Number of modules vertical (module system):** 1
- **With built-in installation box:** No
- **With screws:** Yes
- **Suitable for mounting in round junction box 60 mm:** No
- **Flush-mounted installation:** Yes
- **Suitable for floor box:** No
- **Suitable for wall duct:** No
- **Suitable for mounting on DIN-rail 35 mm:** No
- **Material:** Plastic
- **Material quality:** Thermoplastic

Certifications

- 00. CE Marking - EU
- 01. IMQ - Italy ([download](#))
- 29. QCERT - Colombia ([download](#))
- 37. Marking - Morocco

Packaging



8 0 0 7 3 5 2 5 5 0 7 1 1
Code 8007352550711
Quantity 1 NR
Dim. 11.8x6.5x1.7 [cm]
Weight 20.8 [g]



8 0 0 7 3 5 2 5 5 0 7 2 8
Code 8007352550728
Quantity 20 NR
Dim. 28x15.2x9.75 [cm]
Weight 515 [g]



8 0 0 7 3 5 2 7 0 5 4 8 7
Code 8007352705487
Quantity 140 NR
Dim. 57.5x22.5x30 [cm]
Weight 3,605 [g]

Legal

Vimar reserves the right to change at any time and without notice the characteristics of the products reported. Installation should be carried out by qualified staff in compliance with the current regulations regarding the installation of electrical equipment in the country where the products are installed. For the terms of use of the information on the product info sheet see [Conditions of Use](#).