



Neve Up: Button 1M switch ON symbol white

09021.S

Neve Up / Devices / Basic devices

Button 1M switch ON symbol white

1-module interchangeable button, lightTable on symbol, white

Product Status

3 - Active

Minimum order quantity

50 NR



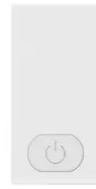
You may also be interested in



09008.0.250 - 1P NO 10A
push button mechan.+pilot
250V



09008.0.12 - 1P NO 10A
push button mechan.+pilot
12V

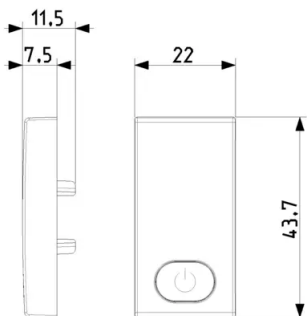


09021.S - Button 1M switch
ON symbol white

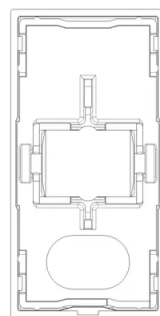


09005.0.250 - 1P 16AX 2-way
switch mechan.+pilot250V

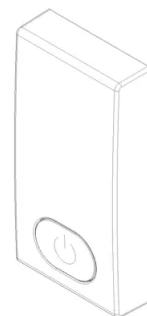
Drawings



Space view



Backside view



3D View



Technical data

- **Class group:** Domestic switching devices
- **Class:** Control element/cover plate for domestic switching devices
- **Model:** Single rocker
- **Utilization:** Switch/push button
- **Suitable for touch sensor connector for bus system:** No
- **Type of fastening:** Clamp mounting
- **Monitoring window/light outlet:** Yes
- **Material:** Plastic
- **Material quality:** Thermoplastic
- **Surface protection:** Untreated
- **Surface finishing:** Glossy
- **Colour:** White
- **RAL-number (similar):** 9016
- **With exchangeable lens/symbol:** Yes
- **Depth:** 750 mm

Certifications

- 00. CE Marking - EU
- 29. QCERT - Colombia ([download](#))

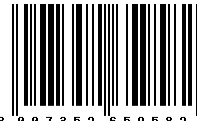
Packaging



8 007352 659568
Code 8007352659568
Quantity 1 NR
Dim. 2.2x4.4x1.1 [cm]
Weight 4 [g]



8 007352 659575
Code 8007352659575
Quantity 5 NR
Dim. 5.1x2.8x5.3 [cm]
Weight 24.2 [g]



8 007352 659582
Code 8007352659582
Quantity 50 NR
Dim. 14.4x11.6x6 [cm]
Weight 283.6 [g]



8 007352 668706
Code 8007352668706
Quantity 600 NR
Dim. 36.5x33x13.5 [cm]
Weight 3,206 [g]

Legal

Vimar reserves the right to change at any time and without notice the characteristics of the products reported. Installation should be carried out by qualified staff in compliance with the current regulations regarding the installation of electrical equipment in the country where the products are installed. For the terms of use of the information on the product info sheet see [Conditions of Use](#).