



Net Safe: RJ45 Cat6A Netsafe FTP outlet white

09339.16

Net Safe / Copper / RJ/EDP socket outlets

RJ45 Cat6A Netsafe FTP outlet white

RJ45 socket outlet with Netsafe Cat connector. 6A, shielded, T568A/B universal wiring, 8 contacts, tool-free insulation-piercing terminals, white

Product Status

3 - Active

Minimum order quantity

10 NR



You may also be interested in



09338.C - RJ45 keystone adaptor white



09338.9 - RJ45 cat5e Netsafe UTP outlet white



09339.6 - RJ45 Cat6 Netsafe UTP 110 outlet white

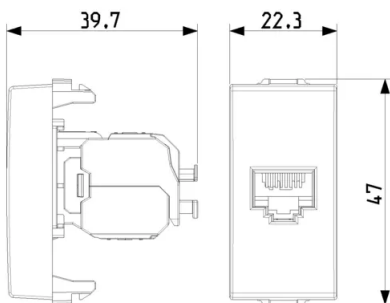


09339.14 - RJ45 Cat6 Netsafe FTP outlet white

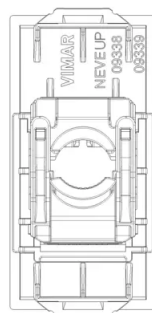
Sheets, Manuals, Documentation

- [Multilanguage instructions sheet \(866 kb\)](#)

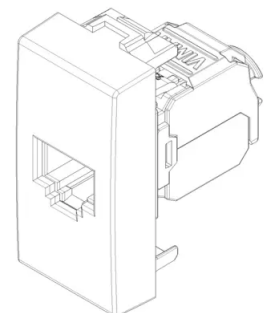
Drawings



Space view



Backside view



3D View



Technical data

- **Class group:** Data and telecommunication
- **Class:** Modular connector
- **Model:** Bus (jack)
- **Type of connector:** RJ45 8(8)
- **Screened:** Yes
- **Category:** 6A (IEC)
- **Connection type:** Crimp
- **Special tool necessary:** No
- **Suitable for round cable:** Yes
- **Suitable for flat cable:** No
- **Suitable for solid core:** No
- **Colour:** White

Certifications

- 10. EAC Eurasian Customs Union
- 99. WEEE Directive ([download](#))

Packaging



8 007352 667051
Code 8007352667051
Quantity 1 NR
Dim. 6x2.8x5.3 [cm]
Weight 32.6 [g]



8 007352 667068
Code 8007352667068
Quantity 10 NR
Dim. 14.4x13.1x6 [cm]
Weight 376.8 [g]



8 007352 667075
Code 8007352667075
Quantity 200 NR
Dim. 50.5x20x28 [cm]
Weight 7,930 [g]

Legal

Vimar reserves the right to change at any time and without notice the characteristics of the products reported. Installation should be carried out by qualified staff in compliance with the current regulations regarding the installation of electrical equipment in the country where the products are installed. For the terms of use of the information on the product info sheet see [Conditions of Use](#).