



Neve Up: Dial thermostat 100-240V 2M carbon m

09470.CM

Neve Up / Devices / Comfort - climate devices

Dial thermostat 100-240V 2M carbon m

Dial thermostat with relay output 5(2) A 240 V~, heating and air conditioning in ON/OFF mode, class I temperature control device (contribution 1%), white LED backlighting with brightness control, 100-240 V 50/60 Hz power supply, carbon matt - 2 modules



Product Status

3 - Active

Minimum order quantity

1 NR

You may also be interested in



09026.PLS.CM - Button 1M +diffuser PLS symb.carbon matt



09026.DND.CM - Button 1M +diffuser DND symb. carbon m



09290.CM - Shaver supply unit 230V carbon matt



09463.CM - Vertical badge switch 2M carbon matt



09465.CM - Vertical pocket badge switch carbon matt



09257.CM - 2P+E13ASICURY multistandard outlet carbo



09052.CM - 1P NO 10A cord-operated push carbon matt



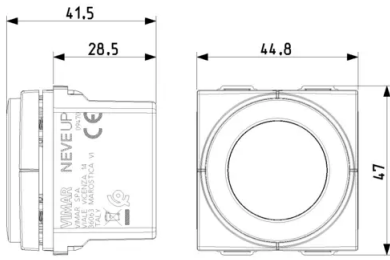
09181.CM - IR relay-switch 230V carbon matt

Sheets, Manuals, Documentation

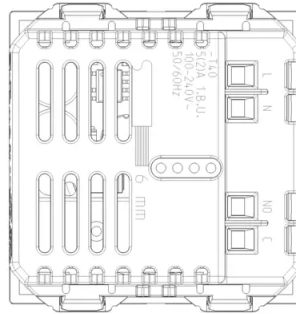
- [Multilanguage instructions sheet \(735 kb\)](#)



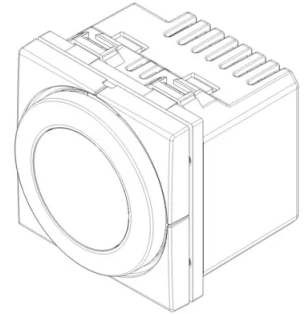
Drawings



Space view



Backside view



3D View

Technical data

- **Class group:** Stats, switches and controllers
- **Class:** Room thermostat
- **Differential value:** 0,00 - 1,00 k
- **Temperature readable:** No
- **Mounting method:** Flush mounted (plaster)
- **Max. contact voltage:** 230 v
- **Colour:** Anthracite
- **Height:** 47,00 mm
- **Width:** 44,80 mm
- **Depth:** 41,50 mm

Certifications

- 00. CE Marking - EU
- 10. EAC Eurasian Customs Union
- 37. Marking - Morocco
- 99. WEEE Directive ([download](#))

Packaging



8 007352 667204
Code 8007352667204
Quantity 1 NR
Dim. 5.7x5.3x7.7 [cm]
Weight 78.6 [g]



8 007352 667211
Code 8007352667211
Quantity 70 NR
Dim. 39.5x30x17 [cm]
Weight 5,878 [g]

Legal

Vimar reserves the right to change at any time and without notice the characteristics of the products reported. Installation should be carried out by qualified staff in compliance with the current regulations regarding the installation of electrical equipment in the country where the products are installed. For the terms of use of the information on the product info sheet see [Conditions of Use](#).