



Neve Up: IoT dial thermostat 2M carbon matt

09473.CM

Neve Up / Devices / Radiofrequency

IoT dial thermostat 2M carbon matt

Dial thermostat for ambient temperature control, 5(2) A 240 V~ relay output, View Wireless technology on Bluetooth® wireless technology 5.0 for mesh View Wireless system realization, 1 input for outer temperature sensor, supply voltage 100-240 V~ 50/60 Hz, heating and air-conditioning ON/OFF and PID, class I temperature control device (contribution 1%) in ON/OFF mode, class IV (contribution 2%) in PID mode, white LED backlighting and brightness regulation, supply voltage 100-240 V 50/60 Hz, carbon matt - 2 modules



Product Status

3 - Active

Minimum order quantity

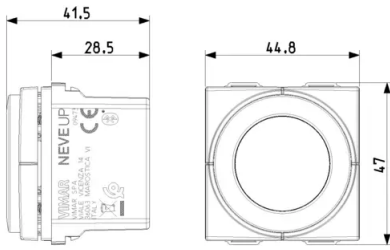
1 NR

Sheets, Manuals, Documentation

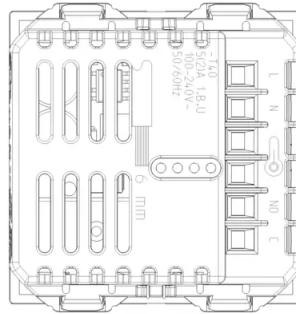
- [Foglio istruzioni \(562 kb\)](#)
- [Notices techniques \(560 kb\)](#)
- [Hoja de instrucciones \(558 kb\)](#)
- [Φύλλο οδηγιών \(705 kb\)](#)
- [Anwendungshinweise \(560 kb\)](#)
- [Instructions sheet \(435 kb\)](#)
- [\(486 kb\)](#)
- [Manuale app View Wireless \(12888 kb\)](#)
- [Manuel appli View Wireless \(30383 kb\)](#)
- [Manual app View Wireless \(30367 kb\)](#)
- [Manual View Wireless app \(30412 kb\)](#)
- [Εγχειρίδιο τεχνικού εγκατάστασης \(30568 kb\)](#)
- [Installationsanleitung View Wireless \(30247 kb\)](#)



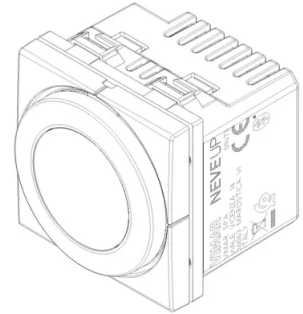
Drawings



Space view



Backside view



3D View

Technical data

- **Class group:** Stats, switches and controllers
- **Class:** Room thermostat
- **Model:** Other
- **Type of power supply:** 230 V AC
- **Connection:** 3-/4-wire
- **With receiver:** No
- **External sensor:** Yes
- **Thermal feedback:** Parallel
- **Control characteristic:** PID
- **Suitable for heating:** Yes
- **Number of heater outputs:** 1
- **Number of cooler outputs:** 1
- **Differential value:** 0,00 - 1,00 k
- **Adjustable differential:** Yes
- **Temperature readable:** Yes
- **With sound indicator:** No
- **Sensor/feeler type:** Other
- **Mounting method:** Other
- **Number of modules (module system):** 2
- **With display:** Yes
- **Operation:** Turn
- **With tap water circuit:** No
- **Max. contact voltage:** 240 v
- **Max. contact load:** 5 A
- **Degree of protection (IP):** IP30
- **Explosion-proof:** No
- **Colour:** Anthracite
- **RAL-number:** 7016
- **Height:** 47,00 mm
- **Width:** 44,80 mm
- **Depth:** 41,50 mm
- **Class of the temperature control:** IV

Certifications

- 00. CE Marking - EU ([download](#))
- 10. EAC Eurasian Customs Union
- 37. Marking - Morocco
- 40. Bluetooth technology
- 99. WEEE Directive ([download](#))



Packaging



8 0 0 7 3 5 2 6 7 1 4 0 9
Code 8007352671409
Quantity 1 NR
Dim. 5.7x5.7x7.7 [cm]
Weight 81.6 [g]



8 0 0 7 3 5 2 6 7 1 4 1 6
Code 8007352671416
Quantity 70 NR
Dim. 39.5x30x17 [cm]
Weight 6,122 [g]

Legal

Vimar reserves the right to change at any time and without notice the characteristics of the products reported. Installation should be carried out by qualified staff in compliance with the current regulations regarding the installation of electrical equipment in the country where the products are installed. For the terms of use of the information on the product info sheet see [Conditions of Use](#).