



## Neve Up: Button 1M switch ON symbol carbon matt

### 09021.S.CM

Neve Up / Devices / Basic devices

### Button 1M switch ON symbol carbon matt

1-module interchangeable button, lightTable on symbol, carbon matt

### Product Status

3 - Active

### Minimum order quantity

50 NR



You may also be interested in



09008.0.250 - 1P NO 10A  
push button mechan.+pilot  
250V



09008.0.12 - 1P NO 10A  
push button mechan.+pilot  
12V

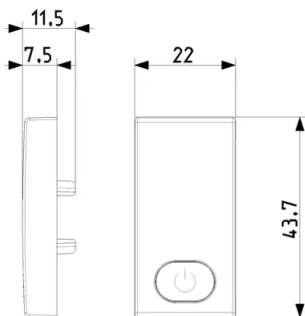


09021.S.CM - Button 1M  
switch ON symbol carbon  
matt

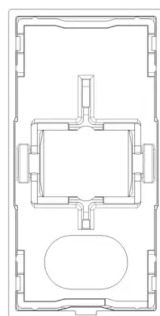


09005.0.250 - 1P 16AX 2-way  
switch mechan.+pilot250V

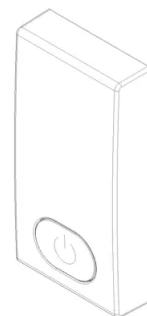
## Drawings



Space view



Backside view



3D View



## Technical data

- **Class group:** Domestic switching devices
- **Class:** Control element/cover plate for domestic switching devices
- **Model:** Single rocker
- **Utilization:** Switch/push button
- **Suitable for touch sensor connector for bus system:** No
- **Type of fastening:** Clamp mounting
- **Monitoring window/light outlet:** Yes
- **Material:** Plastic
- **Material quality:** Thermoplastic
- **Surface protection:** Lacquered
- **Surface finishing:** Matt
- **Colour:** Anthracite
- **RAL-number (similar):** 7016
- **With exchangeable lens/symbol:** Yes
- **Depth:** 750 mm

## Certifications

- 00. CE Marking - EU
- 29. QCERT - Colombia ([download](#))

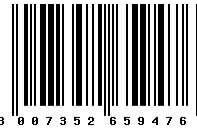
## Packaging



8 007352 659452  
**Code** 8007352659452  
**Quantity** 1 NR  
**Dim.** 2.2x4.4x1.1 [cm]  
**Weight** 6.448 [g]



8 007352 659469  
**Code** 8007352659469  
**Quantity** 5 NR  
**Dim.** 5.1x2.8x5.3 [cm]  
**Weight** 24.4 [g]



8 007352 659476  
**Code** 8007352659476  
**Quantity** 50 NR  
**Dim.** 14.4x11.6x6 [cm]  
**Weight** 287.4 [g]



8 007352 668713  
**Code** 8007352668713  
**Quantity** 600 NR  
**Dim.** 36.5x33x13.5 [cm]  
**Weight** 3,868.8 [g]

## Legal

Vimar reserves the right to change at any time and without notice the characteristics of the products reported. Installation should be carried out by qualified staff in compliance with the current regulations regarding the installation of electrical equipment in the country where the products are installed. For the terms of use of the information on the product info sheet see [Conditions of Use](#).