



Neve Up: TV-RD-SAT single conn.male outlet carbon

09300.01.CM

Neve Up / Devices / 1-outlet TV/RD/SAT socket outlets

TV-RD-SAT single conn.male outlet carbon

TV-RD-SAT coaxial socket outlet, 5-2400 Mhz, single connection, with male connector, 1 dB connection attenuation, carbon matt. Allows the passage of DC current and control signals (24 V 500 mA max)

Product Status

3 - Active

Minimum order quantity

10 NR



You may also be interested in



09313.CM - TV IEC single connection outlet carbon m



09300.10.CM - TV-RD-SAT through-line male outlet carbo



09303.CM - TV-FM-SAT single conn. 3outs carbon matt



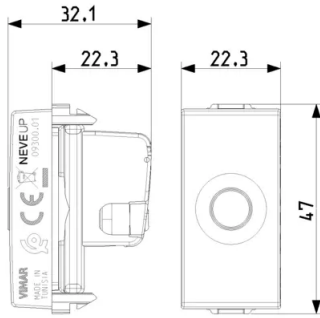
09318.CM - F-type TV outlet carbon matt



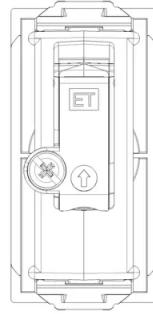
09302.01.CM - TV-RD-SAT single conn.outlet 2outs carbo



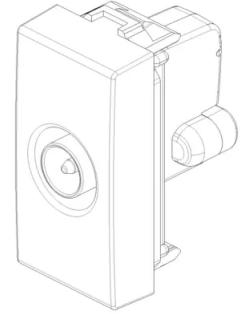
Drawings



Space view



Backside view



3D View

Technical data

- **Class group:** Antenna and satellite technique
- **Class:** Antenna socket box
- **Model:** End socket
- **Mounting method:** Flush mounted (plaster)
- **Cover:** None
- **Suitable for remote power supply:** Yes
- **Frequency:** 5 - 2400 MHz
- **Colour:** Anthracite
- **RAL-number (similar):** 7016
- **Surface protection:** Lacquered
- **Surface finishing:** Matt
- **Material:** Plastic
- **Material quality:** Thermoplastic

Certifications

- 00. CE Marking - EU
- 10. EAC Eurasian Customs Union
- 37. Marking - Morocco
- 99. WEEE Directive ([download](#))

Packaging



8 007352 666726
Code 8007352666726
Quantity 1 NR
Dim. 4.1x2.8x5.3 [cm]
Weight 39.6 [g]



8 007352 666733
Code 8007352666733
Quantity 10 NR
Dim. 14.4x9x6 [cm]
Weight 433.6 [g]



8 007352 666740
Code 8007352666740
Quantity 160 NR
Dim. 37.5x30x13.5 [cm]
Weight 7,266 [g]

Legal

Vimar reserves the right to change at any time and without notice the characteristics of the products reported. Installation should be carried out by qualified staff in compliance with the current regulations regarding the installation of electrical equipment in the country where the products are installed. For the terms of use of the information on the product info sheet see [Conditions of Use](#).