



## Net Safe: RJ45 Cat6 Netsafe FTP outlet white

**09339.14.CM**

Net Safe / Copper / RJ/EDP socket outlets

### RJ45 Cat6 Netsafe FTP outlet white

RJ45 socket outlet with Netsafe Cat connector. 6, shielded, T568A/B universal wiring, 8 contacts, tool-free insulation-piercing terminals, carbon matt

### Product Status

3 - Active

### Minimum order quantity

10 NR



You may also be interested in



09338.C.CM - RJ45 keystone adaptor carbon matt



09338.9.CM - RJ45 cat5e Netsafe UTP outlet carbon mat



09339.6.CM - RJ45 Cat6 Netsafe UTP 110 outlet carbon

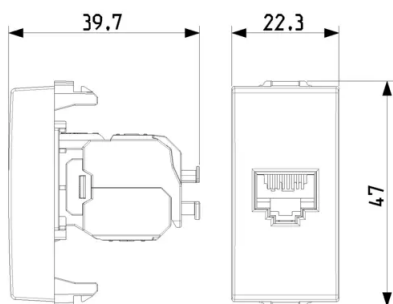


09339.16.CM - RJ45 Cat6A Netsafe FTP outlet white

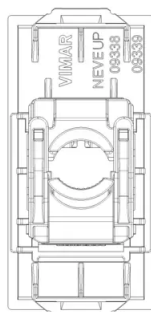
### Sheets, Manuals, Documentation

- [Multilanguage instructions sheet \(866 kb\)](#)

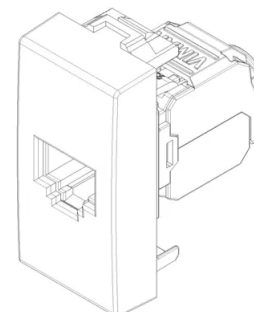
### Drawings



Space view



Backside view



3D View



## Technical data

- **Class group:** Data and telecommunication
- **Class:** Modular connector
- **Model:** Bus (jack)
- **Type of connector:** RJ45 8(8)
- **Screened:** Yes
- **Category:** 6
- **Connection type:** Crimp
- **Special tool necessary:** No
- **Suitable for round cable:** Yes
- **Suitable for flat cable:** No
- **Suitable for solid core:** No
- **Colour:** Grey
- **AWG-range:** 23 - 26

## Certifications

- 10. EAC Eurasian Customs Union
- 99. WEEE Directive ([download](#))

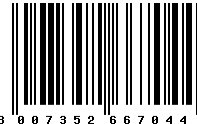
## Packaging



8 0 0 7 3 5 2 6 6 7 0 2 0  
**Code** 8007352667020  
**Quantity** 1 NR  
**Dim.** 6x2.8x5.3 [cm]  
**Weight** 20.2 [g]



8 0 0 7 3 5 2 6 6 7 0 3 7  
**Code** 8007352667037  
**Quantity** 10 NR  
**Dim.** 14.4x13.1x6 [cm]  
**Weight** 254.13 [g]



8 0 0 7 3 5 2 6 6 7 0 4 4  
**Code** 8007352667044  
**Quantity** 200 NR  
**Dim.** 50.5x20x28 [cm]  
**Weight** 5,520 [g]

## Legal

Vimar reserves the right to change at any time and without notice the characteristics of the products reported. Installation should be carried out by qualified staff in compliance with the current regulations regarding the installation of electrical equipment in the country where the products are installed. For the terms of use of the information on the product info sheet see [Conditions of Use](#).