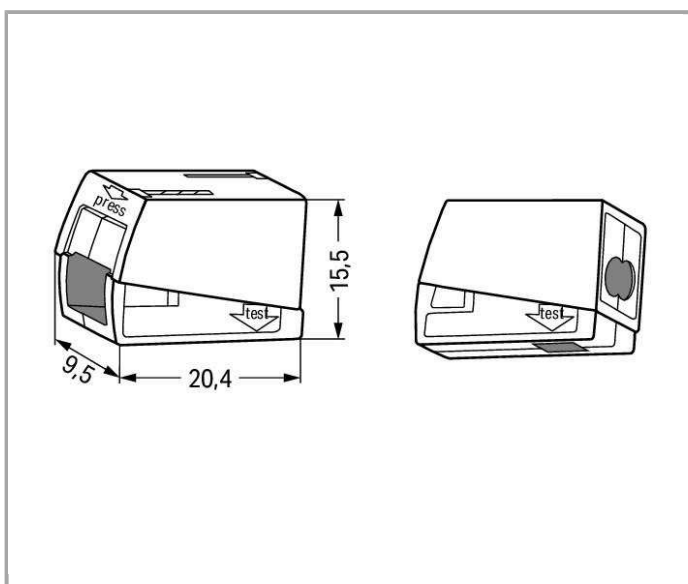
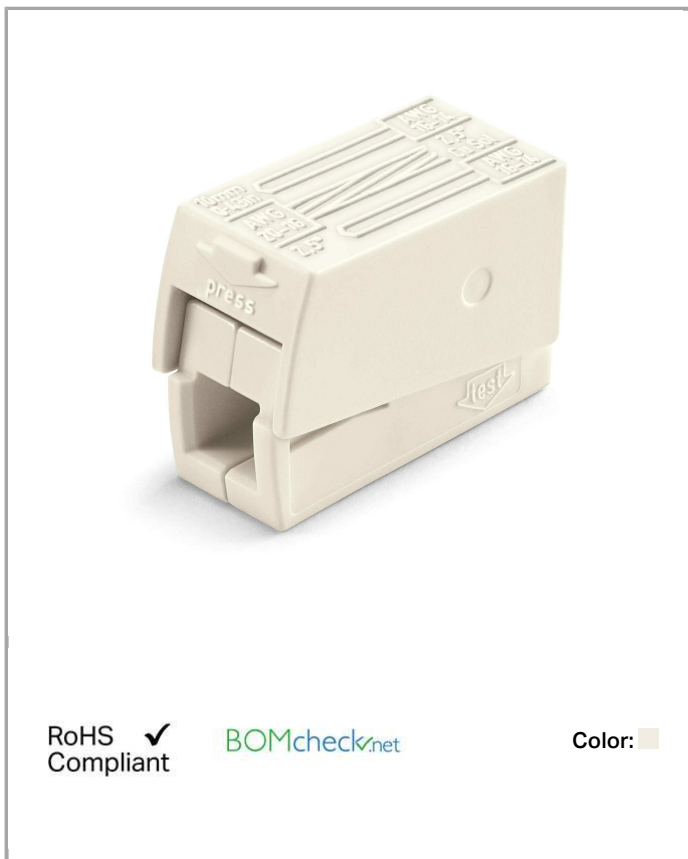


Data sheet | Item number: 224-112

2-conductor lighting connector; Standard version; Continuous service temperature 105°C



[www.wago.com/224-112](http://www.wago.com/224-112)





## Data

### Electrical data

#### Ratings per IEC/EN 60664-1

Rated voltage (II / 2)	400 V
Rated impulse voltage (II / 2)	4 kV
Rated current	24 A
Legend (ratings)	(II / 2) $\triangleq$ Overvoltage category II / Pollution degree 2

### Connection data

Connection type (1)	Installation side:
Connection technology	PUSH WIRE <sup>®</sup>
Number of connection points (connection type)	0
Actuation type	Push-in
Connectable conductor materials	Copper
Solid conductor	1 ... 2.5 mm <sup>2</sup> / 14 ... 12 AWG
Strip length	9 ... 11 mm / 0.35 ... 0.43 Inch
Connection type (2)	Lighting side:
Connection technology 2	CAGE CLAMP <sup>®</sup>
Number of connection points	1
Solid conductor (2)	0.5 ... 2.5 mm <sup>2</sup> / 20 ... 16 AWG
Fine-stranded conductor (2)	0.5 ... 2.5 mm <sup>2</sup> / 20 ... 16 AWG

Total number of connection points	3
Total number of potentials	1
Type of wiring	Side-entry wiring

### Geometrical Data

Width	9.5 mm / 0.374 inch
Height	15.5 mm / 0.61 inch
Depth	20.5 mm / 0.807 inch

### Material Data

Color	white
Fire load	0.046 MJ
Weight	2.066 g

### Commercial data



Country of origin	CH
GTIN	4044918583596
Customs Tariff No.	85369010000
Product Group	7 (Push Wire Conn.)

### Approvals / Certificates

#### Country specific Approvals

Logo	Approval	Certificate name
	CSA DEKRA Certification B.V.	1053495
	VDE VDE Prüf- und Zertifizierungsinstitut	40022792

#### Ship Approvals

Logo	Approval	Certificate name
	ABS American Bureau of Shipping	15-HG1419918-PDA
	BV Bureau Veritas S.A.	11914/CO BV
	DNV GL	TAE000015T