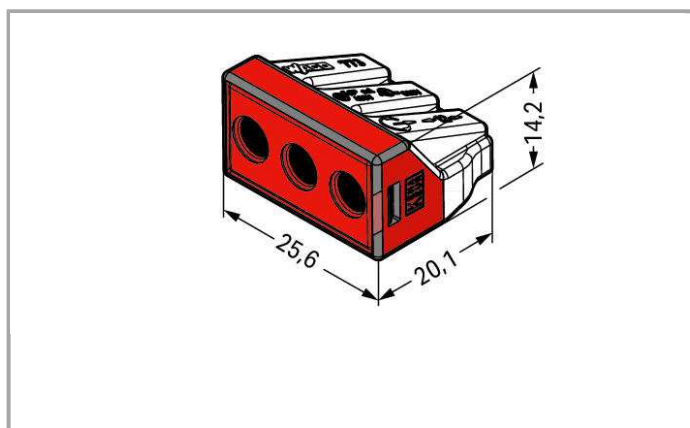


Data sheet | Item number: 773-173

PUSH WIRE® connector for junction boxes; 3-conductor terminal block;  
transparent housing; red cover



[www.wago.com/773-173](http://www.wago.com/773-173)



## Data

### Electrical data

### Ratings per IEC/EN 60664-1

Rated voltage (II / 2)	400 V
Rated impulse voltage (II / 2)	4 kV
Rated current	41 A



Legend (ratings)

(II / 2)  $\triangleq$  Overvoltage category II / Pollution degree 2**Connection data**

Connection technology	PUSH WIRE®
Actuation type	Push-in
Connectable conductor materials	Copper Aluminum
Solid conductor	2.5 ... 6 mm <sup>2</sup> / 14 ... 10 AWG
Stranded conductor	2.5 ... 6 mm <sup>2</sup> / 14 ... 10 AWG
Strip length	12 ... 13 mm / 0.47 ... 0.51 Inch
Total number of connection points	3
Total number of potentials	1
Type of wiring	Side-entry wiring

**Geometrical Data**

Width	25.6 mm / 1.008 inch
Height	14.2 mm / 0.559 inch
Depth	20.1 mm / 0.791 inch

**Material Data**

Color	transparent
Cover color	red
Flammability class per UL94	V2
Fire load	0.113 MJ
Weight	5.76 g

**Environmental Requirements**

Surrounding air (operating) temperature	60 °C
---	-------

**Commercial data**

Country of origin	CN
GTIN	4050821215141
Customs Tariff No.	85369010000

**Approvals / Certificates****Country specific Approvals**

Logo	Approval	Certificate name
	CSA DEKRA Certification B.V.	1053495



**ENEC 15**  
UL International Germany GmbH

ENEC-01207

**Ship Approvals**

Logo

Approval

Certificate name



**ABS**  
American Bureau of Shipping

15-HG1419918-PDA

**UL-Approvals**

Logo

Approval

Certificate name



**UL**  
UL International Germany GmbH

E69654

**Compatible products**

**Mounting adapter**



**Item no.: 773-332**

Mounting carrier; 773 Series - 2.5 mm<sup>2</sup> / 4 mm<sup>2</sup> / 6 mm<sup>2</sup>; for DIN-35 rail mounting/screw mounting

[www.wago.com/773-332](http://www.wago.com/773-332)

**General accessories**



**Item no.: 249-130**

Syringe; Contents: 20 ml Alu-Plus contact paste

[www.wago.com/249-130](http://www.wago.com/249-130)

**Downloads**

**smartDATA**

**CAD data**

3D Download 773-173

URL

Download