



## Plana: TV-FM-SAT single conn. 3outs white

**14303**

Plana / Devices / 3-output TV-RD-SAT socket outlets

### TV-FM-SAT single conn. 3outs white

Coaxial TV-FM radio-SAT 5-2400 MHz socket outlet, single connection, demix, 3 outputs with TV male and female FM radio and F-type (SAT) connectors, connection attenuation 1 dB, white - 2 modules. Allows the passage of d.c. current and control signals (24 V 500 mA max) through the female connector

### Product Status

3 - Active

### Minimum order quantity

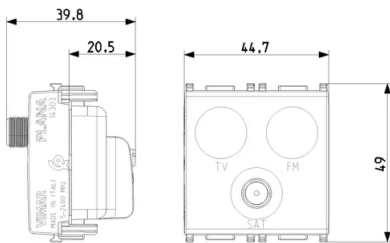
5 NR

### Sheets, Manuals, Documentation

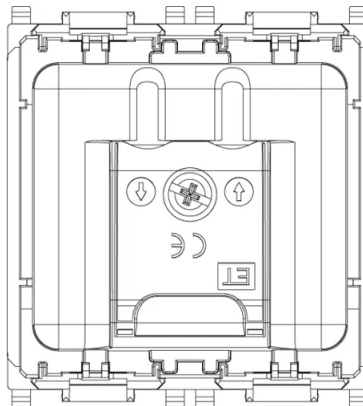
- [Multilanguage instructions sheet \(485 kb\)](#)



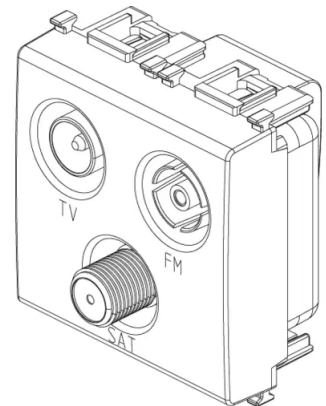
## Drawings



Space view



Backside view



3D View



## Technical data

- **Class group:** Antenna and satellite technique
- **Class:** Antenna socket box
- **Model:** End socket
- **Cover:** None
- **Tap loss at 860 MHz:** 1,80 dB
- **Tap loss at 2150 MHz:** 1,30 dB
- **Number of outlets:** 3
- **Suitable for remote power supply:** Yes
- **Frequency:** 5 - 2400 MHz
- **Type of fastening:** Snap mounting (engagement)
- **Colour:** White
- **RAL-number (similar):** 9003
- **Material:** Plastic

## Certifications

- 00. CE Marking - EU
- 10. EAC Eurasian Customs Union
- 37. Marking - Morocco
- 92. RoHS UAE
- 96. Electrotechnical expert ([download](#))
- 99. WEEE Directive ([download](#))

## Packaging



8 007352 395046  
**Code** 8007352395046  
**Quantity** 1 NR  
**Dim.** 5.1x4.3x5.3 [cm]  
**Weight** 81.6 [g]



8 007352 395053  
**Code** 8007352395053  
**Quantity** 5 NR  
**Dim.** 14.4x11.6x6 [cm]  
**Weight** 456.6 [g]



8 007352 637443  
**Code** 8007352637443  
**Quantity** 60 NR  
**Dim.** 36.5x33x13.5 [cm]  
**Weight** 5,779.2 [g]

## Legal

Vimar reserves the right to change at any time and without notice the characteristics of the products reported. Installation should be carried out by qualified staff in compliance with the current regulations regarding the installation of electrical equipment in the country where the products are installed. For the terms of use of the information on the product info sheet see [Conditions of Use](#).