



Plana: RJ45 Infra+ adaptor white

14341.C

Plana / Devices / Adaptors for signal socket outlets

RJ45 Infra+ adaptor white

Adaptor for Cat. 5e and 6 modules of Slim series of Infra+, Merlin Gerin, white

Product Status

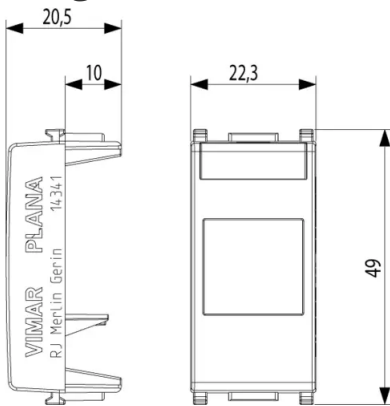
3 - Active

Minimum order quantity

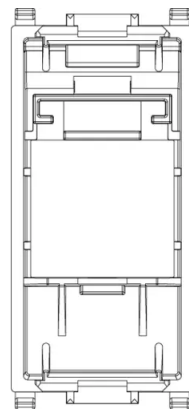
20 NR



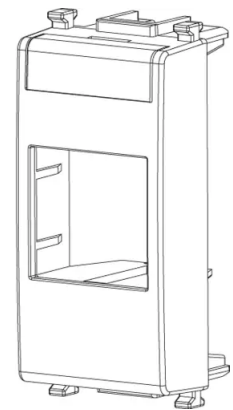
Drawings



Space view



Backside view



3D View

Technical data

- **Class group:** Domestic switching devices
- **Class:** Transition adapter for domestic switching devices
- **Colour:** White
- **RAL-number (similar):** 9003
- **With hinged lid:** No

- **With label space:** Yes
- **Width of device:** 22,30 mm
- **Height of device:** 49,00 mm
- **Depth of device:** 20,50 mm



Packaging



8 0 0 7 3 5 2 1 5 2 2 6 7
Code 8007352152267
Quantity 1 NR
Dim. 2.23x4.9x2.05 [cm]
Weight 5.4 [g]



8 0 0 7 3 5 2 1 5 2 2 7 4
Code 8007352152274
Quantity 2 NR
Dim. 4.1x2.8x5.3 [cm]
Weight 14.2 [g]



8 0 0 7 3 5 2 1 5 2 2 8 1
Code 8007352152281
Quantity 20 NR
Dim. 14.4x9x6 [cm]
Weight 176.73 [g]

Legal

Vimar reserves the right to change at any time and without notice the characteristics of the products reported. Installation should be carried out by qualified staff in compliance with the current regulations regarding the installation of electrical equipment in the country where the products are installed. For the terms of use of the information on the product info sheet see [Conditions of Use](#).