



Plana: TV-RD-SAT single conn.outlet white

14300.01

Plana / Devices / 1-outlet TV/RD/SAT socket outlets

TV-RD-SAT single conn.outlet white

Coaxial TV-RD-SAT 5-2400 MHz socket outlet, single connection, with male connector, connection attenuation 1 dB, white. Allows the passage of d.c. current and control signals (24 V 500 mA max).

Product Status

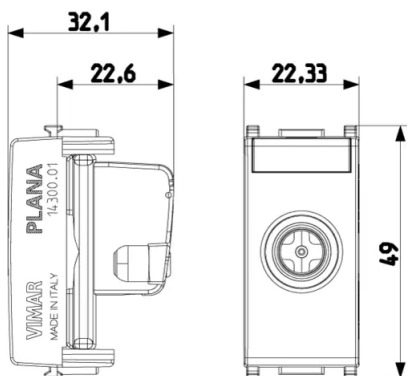
3 - Active

Minimum order quantity

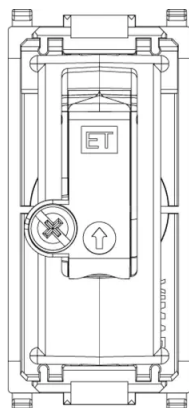
20 NR



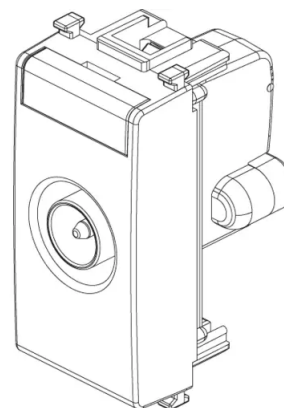
Drawings



Space view



Backside view



3D View

Gallery





Technical data

- **Class group:** Antenna and satellite technique
- **Class:** Antenna socket box
- **Model:** End socket
- **Cover:** None
- **Tap loss at 860 MHz:** 0,10 dB
- **Tap loss at 2150 MHz:** 0,20 dB
- **Number of outlets:** 1
- **Suitable for remote power supply:** Yes
- **Frequency:** 5 - 2400 MHz
- **Type of fastening:** Snap mounting (engagement)
- **Colour:** White
- **RAL-number (similar):** 9003
- **Material:** Plastic

Certifications

- 00. CE Marking - EU
- 10. EAC Eurasian Customs Union
- 37. Marking - Morocco
- 92. RoHS UAE
- 99. WEEE Directive ([download](#))

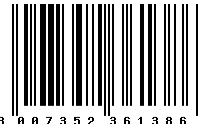
Packaging



8 007352 101234
Code 8007352101234
Quantity 1 NR
Dim. 4.1x2.8x5.3 [cm]
Weight 43.4 [g]



8 007352 101241
Code 8007352101241
Quantity 20 NR
Dim. 21.4x11.6x6 [cm]
Weight 868 [g]



8 007352 361386
Code 8007352361386
Quantity 200 NR
Dim. 30.5x26x22 [cm]
Weight 9,020 [g]

Legal

Vimar reserves the right to change at any time and without notice the characteristics of the products reported. Installation should be carried out by qualified staff in compliance with the current regulations regarding the installation of electrical equipment in the country where the products are installed. For the terms of use of the information on the product info sheet see [Conditions of Use](#).