



Plana: Plate 4M techn. beige

14654.03

Plana / Cover plates / Snap fixing technopolymer cover plates

Plate 4M techn. beige

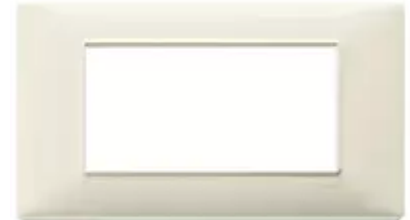
4-module cover plate, technopolymer, beige

Product Status

3 - Active

Minimum order quantity

10 NR

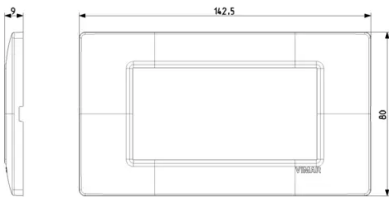


You may also be interested in

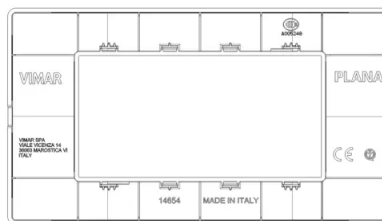


[14614 - Frame 4M +screws](#)

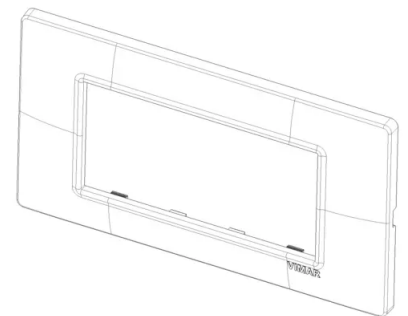
Drawings



Space view



Backside view



3D View



Technical data

- **Class group:** Domestic switching devices
- **Class:** Cover frame for domestic switching devices
- **Number of units:** 4
- **Mounting direction:** Horizontal and vertical
- **Number of units horizontal:** 4
- **Number of units vertical:** 1
- **Number of modules horizontal (module system):** 4
- **Number of modules vertical (module system):** 1
- **Number of switch inserts:** 0
- **With mounting grid:** Yes
- **Suitable for floor box:** Yes
- **Suitable for wall duct:** Yes
- **Suitable for built-in installation:** Yes
- **Label space/information surface:** Yes
- **Material:** Plastic
- **Material quality:** Thermoplastic
- **Halogen free:** Yes
- **Surface protection:** Untreated
- **Surface finishing:** Glossy
- **Colour:** Beige
- **RAL-number (similar):** 1013
- **Transparent:** No
- **With hinged lid:** No
- **Degree of protection (IP):** IP00
- **Type of fastening:** Clamp mounting
- **Width:** 139,50 mm
- **Height:** 80,00 mm
- **Depth:** 9,00 mm
- **Built-in width:** 139,50 mm
- **Built-in height:** 80,00 mm
- **Diameter bore hole (opening):** 0 mm

Certifications

- 00. CE Marking - EU
- 01. IMQ - Italy ([download](#))
- 15. CCC - China ([download](#))
- 29. QCERT - Colombia ([download](#))
- 37. Marking - Morocco

Packaging



8 007352 112070
Code 8007352112070
Quantity 1 NR
Dim. 19x8x0.9 [cm]
Weight 20.87 [g]



8 007352 112087
Code 8007352112087
Quantity 10 NR
Dim. 17.1x9.8x9.9 [cm]
Weight 263.53 [g]



8 007352 641051
Code 8007352641051
Quantity 360 NR
Dim. 59x34.5x32.5 [cm]
Weight 10,218 [g]

Legal

Vimar reserves the right to change at any time and without notice the characteristics of the products reported. Installation should be carried out by qualified staff in compliance with the current regulations regarding the installation of electrical equipment in the country where the products are installed. For the terms of use of the information on the product info sheet see [Conditions of Use](#).