



## Plana: Plate 4M Reflex orange

**14654.48**

Plana / Cover plates / Reflex technopolymer cover plates

### Plate 4M Reflex orange

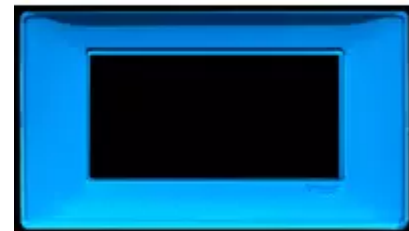
4-module cover plate, technopolymer, Reflex orange

### Product Status

3 - Active

### Minimum order quantity

10 NR

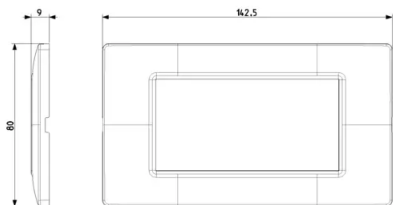


You may also be interested in

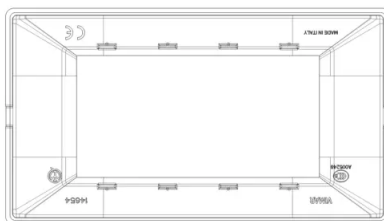


[14614 - Frame 4M +screws](#)

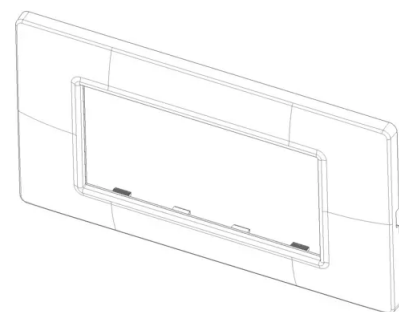
## Drawings



Space view



Backside view



3D View



## Technical data

- **Class group:** Domestic switching devices
- **Class:** Cover frame for domestic switching devices
- **Number of units:** 4
- **Mounting direction:** Horizontal and vertical
- **Number of units horizontal:** 4
- **Number of units vertical:** 1
- **Number of modules horizontal (module system):** 4
- **Number of modules vertical (module system):** 1
- **Number of switch inserts:** 0
- **With mounting grid:** Yes
- **Suitable for floor box:** Yes
- **Suitable for wall duct:** Yes
- **Suitable for built-in installation:** Yes
- **Label space/information surface:** Yes
- **Material:** Plastic
- **Material quality:** Plastic glass
- **Halogen free:** Yes
- **Surface protection:** Untreated
- **Surface finishing:** Glossy
- **Colour:** Orange
- **RAL-number (similar):** 2011
- **Transparent:** No
- **With hinged lid:** No
- **Degree of protection (IP):** IP00
- **Type of fastening:** Clamp mounting
- **Width:** 139,50 mm
- **Height:** 80,00 mm
- **Depth:** 9,00 mm
- **Built-in width:** 139,50 mm
- **Built-in height:** 80,00 mm
- **Diameter bore hole (opening):** 0 mm

## Certifications

- 00. CE Marking - EU
- 01. IMQ - Italy ([download](#))
- 15. CCC - China ([download](#))
- 29. QCERT - Colombia ([download](#))
- 37. Marking - Morocco

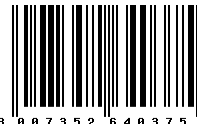
## Packaging



8 007352 132931  
**Code** 8007352132931  
**Quantity** 1 NR  
**Dim.** 19x8x0.9 [cm]  
**Weight** 27.47 [g]



8 007352 132948  
**Code** 8007352132948  
**Quantity** 10 NR  
**Dim.** 17.1x9.8x9.9 [cm]  
**Weight** 328.47 [g]



8 007352 640375  
**Code** 8007352640375  
**Quantity** 360 NR  
**Dim.** 59x34.5x32.5 [cm]  
**Weight** 12,576 [g]

## Legal

Vimar reserves the right to change at any time and without notice the characteristics of the products reported. Installation should be carried out by qualified staff in compliance with the current regulations regarding the installation of electrical equipment in the country where the products are installed. For the terms of use of the information on the product info sheet see [Conditions of Use](#).