



## Eikon: 2P+E 16A P30 outlet+C16 RCBO grey

20286

Eikon / Devices / Protected socket outlets

### 2P+E 16A P30 outlet+C16 RCBO grey

2P+E 16 A 250 V~ SICURY socket outlet, Italian standard P30 (lateral and central earth contacts), interlocked with 1P+N C 16 residual current breaker with overcurrent protection, supply voltage 230 V~ 50 Hz, I $\Delta$ n 10 mA, breaking capacity 3000 A, grey - 4 modules



### Product Status

3 - Active

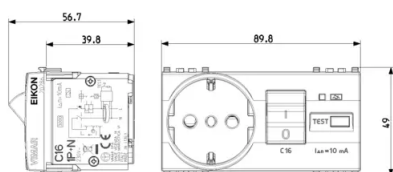
### Minimum order quantity

1 NR

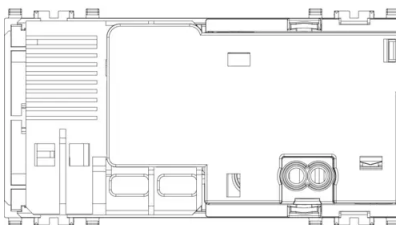
### Sheets, Manuals, Documentation

- [Multilanguage instructions sheet \(777 kb\)](#)

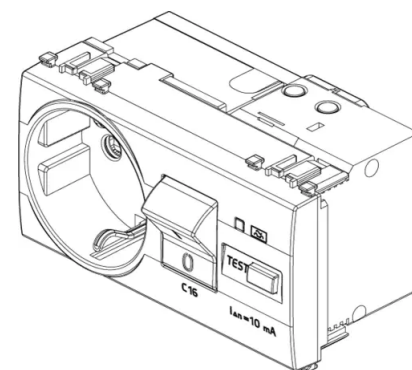
### Drawings



Space view



Backside view



3D View



## Technical data

- **Class group:** Domestic switching devices
- **Class:** Socket outlet
- **Model:** Italian type P30
- **With built-in USB power supply:** No
- **Number of units:** 2
- **Number of modules (module system):** 4
- **Number of socket outlets switchable:** 1
- **Imprint/indication:** None
- **Connection type:** Screwed terminal
- **With hinged lid:** No
- **With enhanced contact protection:** Yes
- **Label space/information surface:** Yes
- **Colour:** Grey
- **RAL-number (similar):** 7024
- **Metallic colour:** No
- **Transparent:** No
- **Lockable:** No
- **Eject-mechanism:** No
- **Insulated mounting:** No
- **With function lighting:** Yes
- **With orientation lighting:** No
- **Over voltage protection:** No
- **Fault current protection:** Yes
- **With miniature fuse:** No
- **Mounting method:** Flush mounted (plaster)
- **Type of fastening:** Snap mounting (engagement)
- **Material:** Plastic
- **Material quality:** Thermoplastic
- **Surface protection:** Untreated
- **Surface finishing:** Matt
- **With on/off switch:** Yes
- **With loop through function:** No
- **Rotated central insert:** No
- **Nominal current:** 16 A
- **Nominal voltage:** 230 v
- **Frequency:** 50,00 - 50,01 HZ
- **Rated fault current:** 10 mA
- **Suitable for degree of protection (IP):** IP20
- **Impact strength:** Other
- **Width of device:** 44,80 mm
- **Height of device:** 49,00 mm
- **Depth of device:** 56,30 mm

## Certifications

- 00. CE Marking - EU
- 01. IMQ - Italy ([download](#))
- 10. EAC Eurasian Customs Union
- 37. Marking - Morocco
- 96. Electrotechnical expert ([download](#))
- 99. WEEE Directive ([download](#))

## Packaging



8 007352 257856  
**Code** 8007352257856  
**Quantity** 1 NR  
**Dim.** 14.2x6.7x5.9 [cm]  
**Weight** 188.5 [g]

## Legal

Vimar reserves the right to change at any time and without notice the characteristics of the products reported. Installation should be carried out by qualified staff in compliance with the current regulations regarding the installation of electrical equipment in the country where the products are installed. For the terms of use of the information on the product info sheet see [Conditions of Use](#).