

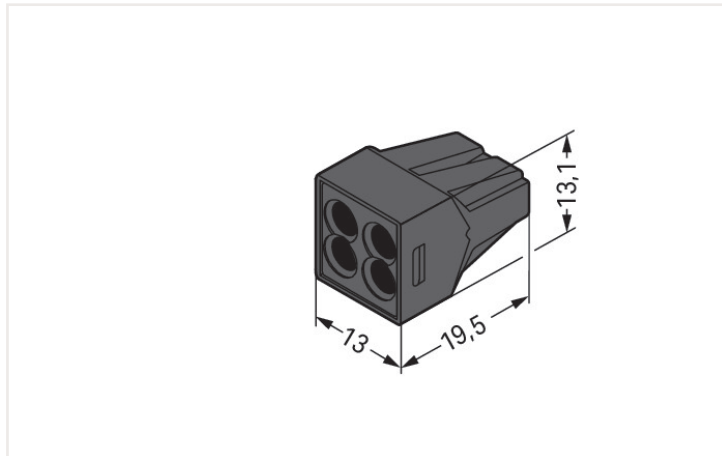
## Data sheet | Item number: 773-514

Конектор за разклонителни кутии PUSH WIRE®; за твърди и фино усукани проводници; макс. 2,5 mm<sup>2</sup>; 4-проводн.; Черен корпус; черен капак; Макс. температура на околния въздух: 105 °C; 2,50 mm<sup>2</sup>; черен

<https://www.wago.com/773-514>



Color: ■ черен



Dimensions in mm

### Notes

Safety information 1

in grounded power lines

### Electrical data

#### Ratings per IEC/EN

Ratings per	IEC/EN 60664-1
Nominal voltage (III/2)	400 V
Rated surge voltage (III/2)	4 kV
Rated current	24 A
Legend (ratings)	(II / 2) Δ Overvoltage category II / Pollution degree 2

### Connection data

Connection points	4
Total number of potentials	1

#### Connection 1

Connection technology	PUSH WIRE®
Actuation type	Push-in
Connectable conductor materials	Copper Aluminum

## Connection 1

Connectable conductor materials (note)

### Terminating Aluminum Conductors

WAGO spring clamp terminal blocks are suitable for solid aluminum conductors up to 4 mm<sup>2</sup>/12 AWG if WAGO "Alu-Plus" Contact Paste [249-130](#) is used for termination.

"Alu-Plus" Contact Paste Advantages:

- Automatically destroys the oxide film during clamping.
- Prevents fresh oxidation at the clamping point.
- Prevents electrolytic corrosion between aluminum and copper conductors (in the same terminal block).
- Provides long-term protection against corrosion.

For spring clamp connections with PUSH WIRE® connection technology, **WAGO recommends that the aluminum conductor first be cleaned** and then immediately inserted into the clamping unit filled with "Alu-Plus" contact paste.

It is also possible to apply WAGO "Alu-Plus" **additionally** on the whole surface of the aluminum conductor before termination.

Please note that the nominal currents must be adapted to the reduced conductivity of the aluminum conductors::

2.5 mm<sup>2</sup> = 16 A

4 mm<sup>2</sup> = 22 A

Solid conductor	0,75 ... 2,5 mm <sup>2</sup> / 18 ... 12 AWG
Stranded conductor	1,5 ... 2,5 mm <sup>2</sup> / 16 ... 12 AWG
Strip length	12 mm / 0.47 inches
Wiring direction	Side-entry wiring

## Physical data

Width	13 mm / 0.512 inches
Height	13,1 mm / 0.516 inches
Depth	19,5 mm / 0.768 inches

## Material Data

Note (material data)

[Information on material specifications can be found here](#)

Color	черен
Cover color	black
Flammability class per UL94	V2
Fire load	0 MJ
Weight	2.1 g

### Environmental requirements

Ambient temperature (operation)	+60 °C
Continuous operating temperature	150 °C

### Commercial data

Product Group	7 (Push Wire Conn.)
eCl@ss 10.0	27-14-11-04
eCl@ss 9.0	27-14-11-04
ETIM 8.0	EC000446
ETIM 7.0	EC000446
PU (SPU)	100 6p.
Packaging type	Box
Country of origin	CN
GTIN	4045454259433
Customs tariff number	85369010000

### Approvals and certificates

#### Общи одобрения



Approval	Standard	Certificate name
CSA DEKRA Certification B.V.	C22.2	15411 (LR46759)
UL UL International Germany GmbH	UL 486C	E69654

### Downloads

#### Documentation





##### Additional Information

Technical Section	pdf 2142.18 KB	<a href="#">↓</a>
-------------------	-------------------	-------------------

##### Bid Text

773-514	17.05.2017	doc 25.00 KB	<a href="#">↓</a>
773-514	19.02.2019	xml 3.11 KB	<a href="#">↓</a>
ausschreiben.de 773-514			<a href="#">↓</a>

## CAD/CAE-Data

CAD data	CAE data
2D/3D Models 773-514 	EPLAN Data Portal 773-514 
	WSCAD Universe 773-514 
	ZUKEN Portal 773-514 

## 1 Compatible products

## 1.1 Optional accessories

## 1.1.1 Mounting adapter

## 1.1.1.1 Mounting accessories

**Item no.: 773-332**

Монтажен адаптер; Серия 773 - 2.5 mm<sup>2</sup> / 4 mm<sup>2</sup> / 6 mm<sup>2</sup>; за винтов монтаж / монтаж на DIN 35 шина; оранжев

## 1.1.2 Tool

## 1.1.2.1 "Alu-Plus" contact paste

**Item no.: 249-130**

Спринцовка; Съдържание: контактна паста „Alu-Plus“ 20 ml