



## Arké Metal: Blank module 2M Metal

**19042.M**

Arké Metal / Accessories / Blank module and cable outlet

### Blank module 2M Metal

Blank module, Metal - 2 modules

### Product Status

3 - Active

### Minimum order quantity

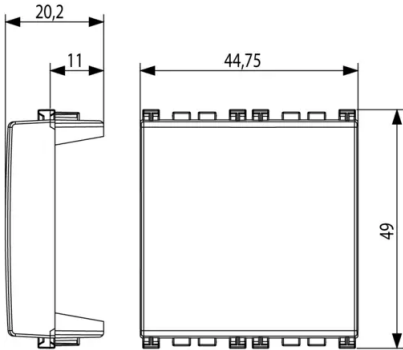
20 NR

### Video

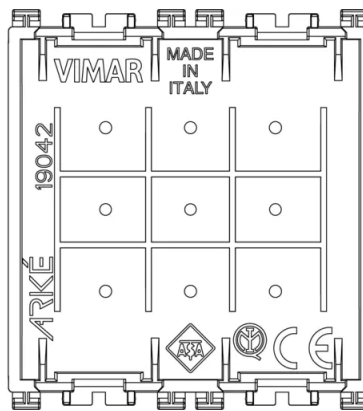
- [Arké lives in your time](#)



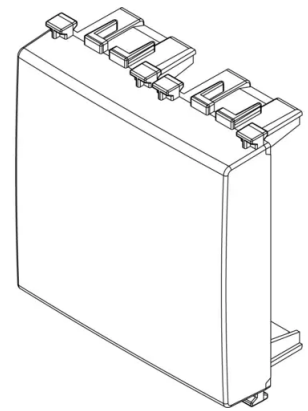
## Drawings



Space view



Backside view



3D View

## Technical data

- **Class group:** Domestic switching devices
- **Class:** Push-switch button
- **Method of operation:** Other
- **Number of modules (module system):** 2
- **Nominal voltage:** 0 v
- **With lighting:** No
- **Feedback-signal contact:** No
- **Mounting method:** Flush mounted (plaster)
- **Material:** Plastic
- **Material quality:** Thermoplastic
- **Halogen free:** Yes
- **Surface protection:** Lacquered
- **Surface finishing:** Matt
- **Colour:** Aluminium
- **RAL-number (similar):** 9007
- **Transparent:** No
- **Label space/information surface:** Yes
- **Width of device:** 44,75 mm
- **Height of device:** 49,00 mm
- **Depth of device:** 20,20 mm



## Certifications

- 00. CE Marking - EU
- 01. IMQ - Italy ([download](#))
- 08. ASTA - UK ([download](#))
- 15. CCC - China ([download](#))
- 29. QCERT - Colombia ([download](#))
- 96. Electrotechnical expert ([download](#))

## Packaging



8 0 0 7 3 5 2 5 9 1 0 3 5  
**Code** 8007352591035  
**Quantity** 1 NR  
**Dim.** 4.47x4.9x2.15 [cm]  
**Weight** 8 [g]



8 0 0 7 3 5 2 5 9 1 0 4 2  
**Code** 8007352591042  
**Quantity** 5 NR  
**Dim.** 22x4.9x2.1 [cm]  
**Weight** 42 [g]



8 0 0 7 3 5 2 5 9 1 0 5 9  
**Code** 8007352591059  
**Quantity** 20 NR  
**Dim.** 27x11.6x6 [cm]  
**Weight** 239 [g]

## Legal

Vimar reserves the right to change at any time and without notice the characteristics of the products reported. Installation should be carried out by qualified staff in compliance with the current regulations regarding the installation of electrical equipment in the country where the products are installed. For the terms of use of the information on the product info sheet see [Conditions of Use](#).