



Arké: Two interlocked NO+NO 10A pushes grey

19062

Arké / Devices / Devices - other functions

Two interlocked NO+NO 10A pushes grey

Two interlocked push buttons, 1P NO + 1P NO 10 A 250 V~, with directional arrows, grey

Product Status

3 - Active

Minimum order quantity

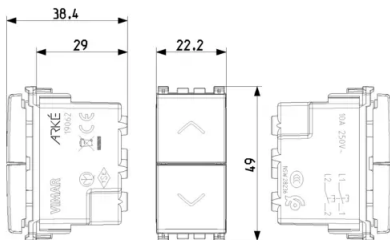
20 NR

Video

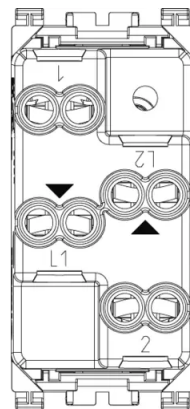
- [Arké lives in your time](#)



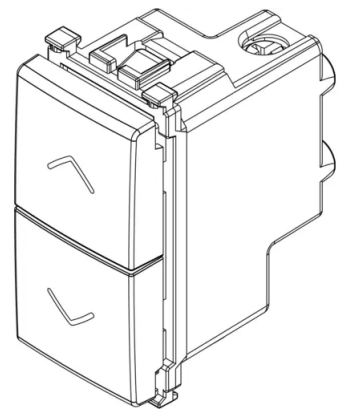
Drawings



Space view



Backside view



3D View



Gallery



Technical data

- **Class group:** Domestic switching devices
- **Class:** Push-switch button
- **Assembly arrangement:** Modular device for domestic switching devices
- **Model:** Other
- **Method of operation:** Push button
- **Number of rockers:** 1
- **Number of modules (module system):** 1
- **Number of poles:** 1
- **Nominal voltage:** 250 v
- **Rated current:** 10,00 A
- **With lighting:** No
- **Feedback-signal contact:** No
- **Mounting method:** Flush mounted (plaster)
- **Type of fastening:** Engage (snap)
- **Material:** Plastic
- **Material quality:** Thermoplastic
- **Halogen free:** Yes
- **Surface protection:** Untreated
- **Surface finishing:** Matt
- **Colour:** Grey
- **RAL-number (similar):** 7015
- **Transparent:** No
- **Label space/information surface:** Yes
- **Suitable for degree of protection (IP):** IP40
- **Width of device:** 22,30 mm
- **Height of device:** 49,00 mm
- **Depth of device:** 38,40 mm

Certifications

- 00. CE Marking - EU
- 01. IMQ - Italy
- 10. EAC Eurasian Customs Union
- 14. TSE - Turkey ([download](#))
- 15. CCC - China ([download](#))
- 19. NOM - Mexico
- 28. NSW - Australia ([download](#))
- 29. QCERT - Colombia ([download](#))
- 31. TISI - Thailand
- 36. ISI - India
- 37. Marking - Morocco
- 96. Electrotechnical expert ([download](#))
- 99. WEEE Directive ([download](#))



Packaging



8 0 0 7 3 5 2 4 1 3 9 8 6
Code 8007352413986
Quantity 1 NR
Dim. 4.1x2.8x5.3 [cm]
Weight 32.9 [g]



8 0 0 7 3 5 2 4 1 3 9 9 3
Code 8007352413993
Quantity 20 NR
Dim. 21.4x11.6x6 [cm]
Weight 739 [g]



8 0 0 7 3 5 2 6 7 2 3 2 1
Code 8007352672321
Quantity 200 NR
Dim. 30.5x25.5x22.5 [cm]
Weight 7,840 [g]

Legal

Vimar reserves the right to change at any time and without notice the characteristics of the products reported. Installation should be carried out by qualified staff in compliance with the current regulations regarding the installation of electrical equipment in the country where the products are installed. For the terms of use of the information on the product info sheet see [Conditions of Use](#).