



Net Safe: RJ45 Cat6 Netsafe UTP outlet grey

19339.13

Net Safe / Copper / RJ/EDP socket outlets

RJ45 Cat6 Netsafe UTP outlet grey

RJ45 outlet with Netsafe connector, Cat. 6, unshielded, T568A/B universal wiring, 8 contacts, insulation-piercing terminals without tool use, grey

Product Status

3 - Active

Minimum order quantity

10 NR

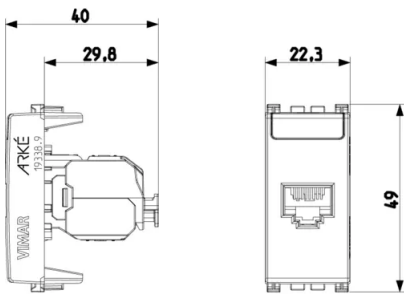
Sheets, Manuals, Documentation

- [Multilanguage instructions sheet \(626 kb\)](#)

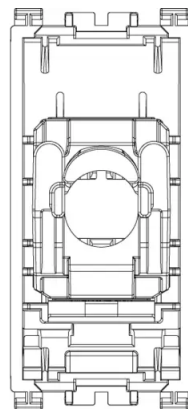
Video

- [Arké lives in your time](#)

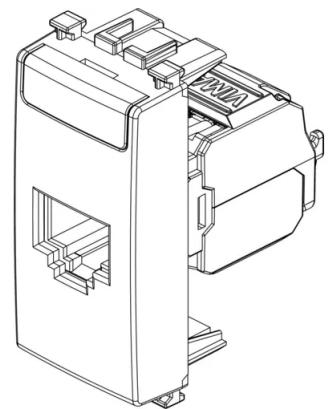
Drawings



Space view



Backside view



3D View





Technical data

- **Class group:** Data and telecommunication
- **Class:** Modular connector
- **Model:** Bus (jack)
- **Type of connector:** RJ45 8(8)
- **Screened:** No
- **Category:** 6
- **Connection type:** Crimp
- **Special tool necessary:** No
- **Suitable for round cable:** Yes
- **Suitable for flat cable:** Yes
- **Suitable for litz wire conductor:** No
- **Suitable for solid core:** No
- **Colour:** Other
- **AWG-range:** 23 - 26

Certifications

- 00. CE Marking - EU
- 10. EAC Eurasian Customs Union
- 24. FORCE Certificate ([download](#))
- 99. WEEE Directive ([download](#))

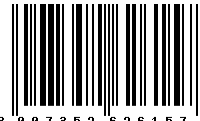
Packaging



8 007352 463318
Code 8007352463318
Quantity 1 NR
Dim. 5.1x4.3x5.3 [cm]
Weight 19.8 [g]



8 007352 463325
Code 8007352463325
Quantity 10 NR
Dim. 26.9x11.6x4.9 [cm]
Weight 279 [g]



8 007352 626157
Code 8007352626157
Quantity 200 NR
Dim. 47.5x27x29 [cm]
Weight 5,980 [g]

Legal

Vimar reserves the right to change at any time and without notice the characteristics of the products reported. Installation should be carried out by qualified staff in compliance with the current regulations regarding the installation of electrical equipment in the country where the products are installed. For the terms of use of the information on the product info sheet see [Conditions of Use](#).