



Arké Metal: Vertical badge switch 2M Metal

19463.M

Arké Metal / Systems / Access control system

Vertical badge switch 2M Metal

Upright electronic badge switch, 4 A 250 V~ NO (NON SELV) change-over relay output, power supply 120-230 V~ 50-60 Hz, slot lighting for location in the dark, trimmer for regulating switch-off time after removing the card, Metal - 2 modules. Supplied with

Product Status

3 - Active

Minimum order quantity

1 NR

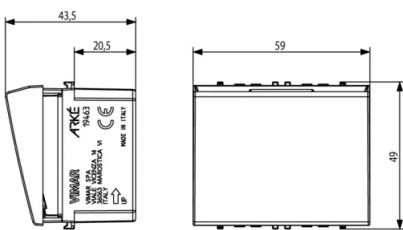
Sheets, Manuals, Documentation

- [Multilanguage instructions sheet \(1182 kb\)](#)

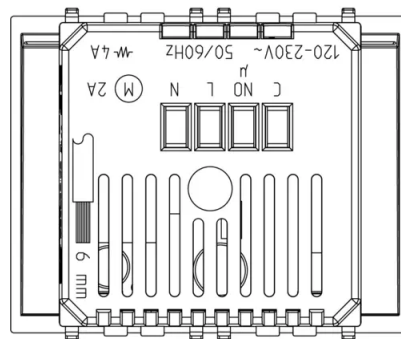
Video

- [Arké lives in your time](#)

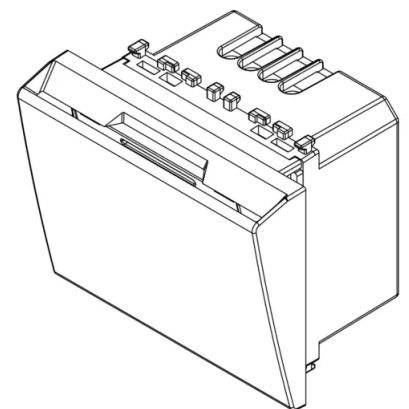
Drawings



Space view



Backside view



3D View





Technical data

- **Class group:** Alarm installations, emergency call and signalling
- **Class:** Access control system
- **Mounting method:** Flush mounted (plaster)
- **Colour:** Silver

- **Material:** Plastic
- **Width:** 44,80 mm
- **Height:** 49,00 mm
- **Depth:** 43,50 mm

Certifications

- 00. CE Marking - EU
- 10. EAC Eurasian Customs Union
- 19. NOM - Mexico
- 37. Marking - Morocco
- 96. Electrotechnical expert ([download](#))
- 99. WEEE Directive ([download](#))

Packaging



8 0 0 7 3 5 2 5 9 7 5 2 5
Code 8007352597525
Quantity 1 NR
Dim. 5.2x5.7x7.6 [cm]
Weight 70.3 [g]



8 0 0 7 3 5 2 5 9 7 5 3 2
Code 8007352597532
Quantity 5 NR
Dim. 21.4x11.6x6 [cm]
Weight 411 [g]



8 0 0 7 3 5 2 7 2 6 1 3 0
Code 8007352726130
Quantity 50 NR
Dim. 30.5x25.5x22.5 [cm]
Weight 4,110 [g]

Legal

Vimar reserves the right to change at any time and without notice the characteristics of the products reported. Installation should be carried out by qualified staff in compliance with the current regulations regarding the installation of electrical equipment in the country where the products are installed. For the terms of use of the information on the product info sheet see [Conditions of Use](#).