



## Arké: Classic plate 7M techno matt silver

**19657.79**

Arké / Cover plates / Technopolymer Classic cover plates

### Classic plate 7M techno matt silver

7-module Classic cover plate, technopolymer, matt silver

#### Product Status

3 - Active

#### Minimum order quantity

5 NR

You may also be interested in

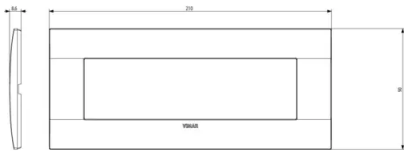


[19617 - Frame 7M +screws](#)

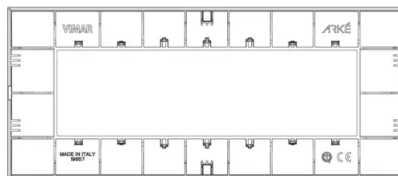
#### Video

- [Arké lives in your time](#)

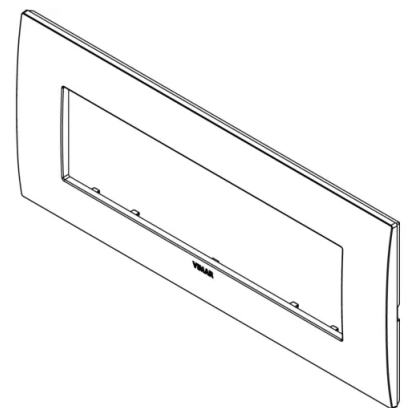
#### Drawings



Space view



Backside view



3D View





## Gallery



## Technical data

- **Class group:** Domestic switching devices
- **Class:** Cover frame for domestic switching devices
- **Number of units:** 7
- **Mounting direction:** Horizontal and vertical
- **Number of units horizontal:** 7
- **Number of units vertical:** 1
- **Number of modules horizontal (module system):** 7
- **Number of modules vertical (module system):** 1
- **Number of switch inserts:** 0
- **With mounting grid:** Yes
- **Suitable for floor box:** Yes
- **Suitable for wall duct:** Yes
- **Suitable for built-in installation:** Yes
- **Label space/information surface:** Yes
- **Material:** Plastic
- **Material quality:** Thermoplastic
- **Halogen free:** Yes
- **Surface protection:** Lacquered
- **Surface finishing:** Matt
- **Colour:** Silver
- **RAL-number (similar):** 9006
- **Transparent:** No
- **With hinged lid:** No
- **Degree of protection (IP):** IP00
- **Type of fastening:** Clamp mounting
- **Width:** 210,00 mm
- **Height:** 90,00 mm
- **Depth:** 8,60 mm
- **Built-in width:** 210,00 mm
- **Built-in height:** 90,00 mm
- **Diameter bore hole (opening):** 0 mm

## Certifications

- 00. CE Marking - EU
- 01. IMQ - Italy ([download](#))
- 29. QCERT - Colombia ([download](#))
- 37. Marking - Morocco
- 43. UKCA mark - Great Britain

## Packaging



8 007352 447424  
**Code** 8007352447424  
**Quantity** 1 NR  
**Dim.** 21x9x0.9 [cm]  
**Weight** 29.7 [g]



8 007352 447431  
**Code** 8007352447431  
**Quantity** 5 NR  
**Dim.** 24.2x10.3x5.7 [cm]  
**Weight** 202.2 [g]



## Legal

Vimar reserves the right to change at any time and without notice the characteristics of the products reported. Installation should be carried out by qualified staff in compliance with the current regulations regarding the installation of electrical equipment in the country where the products are installed. For the terms of use of the information on the product info sheet see [Conditions of Use](#).