



Door coupling handle, EN60204, NA type

Part no. PKZ0-XRH
Catalog No. 106133
Alternate Catalog No. XTPAXRHMY
EL-Nummer (Norway) 4355088

Delivery program

| | | |
|----------------------|--|--|
| Product range | | Accessories |
| Accessories | | Door coupling handle |
| | | For use as a main switch with Emergency-Stop function, to EN 60204 |
| | | Red-yellow |
| For use with | | PKZM0 PKZM4 |
| For use with | | Door coupling handle PKZ0(4) |
| Degree of Protection | | IP65 |

Notes Plug-in extension shaft PKZ0-XAH can be cut to desired length for mounting depths of 100-240 mm.
 Carrier with extension shaft included as standard.
 With ON/OFF switch position and "+" (tripped), lockable.
 With 3 padlocks, 4 - 8 mm hasp thickness.
 Cannot be used in combination with VHI20-PKZ0.
 ZFS... (except for ZFS-(L)TS-NZM) add-on front plates can be used.

Design verification as per IEC/EN 61439

| Technical data for design verification | | | |
|--|------------|----|--|
| Rated operational current for specified heat dissipation | I_n | A | 0 |
| Heat dissipation per pole, current-dependent | P_{vid} | W | 0 |
| Equipment heat dissipation, current-dependent | P_{vid} | W | 0 |
| Static heat dissipation, non-current-dependent | P_{vs} | W | 0 |
| Heat dissipation capacity | P_{diss} | W | 0 |
| Operating ambient temperature min. | | °C | -25 |
| Operating ambient temperature max. | | °C | 55 |
| IEC/EN 61439 design verification | | | |
| 10.2 Strength of materials and parts | | | |
| 10.2.2 Corrosion resistance | | | Meets the product standard's requirements. |
| 10.2.3 Verification of thermal stability of enclosures | | | |
| 10.2.3.1 Verification of resistance of insulating materials to normal heat | | | Meets the product standard's requirements. |
| 10.2.3.2 Verification of resistance of insulating materials to abnormal heat and fire due to internal electric effects | | | Meets the product standard's requirements. |
| 10.2.3.3 Verification of resistance of insulating materials to abnormal heat and fire due to internal electric effects | | | Meets the product standard's requirements. |
| 10.2.4 Resistance to ultra-violet (UV) radiation | | | Please enquire |
| 10.2.5 Lifting | | | Does not apply, since the entire switchgear needs to be evaluated. |
| 10.2.6 Mechanical impact | | | Does not apply, since the entire switchgear needs to be evaluated. |
| 10.2.7 Inscriptions | | | Meets the product standard's requirements. |
| 10.3 Degree of protection of ASSEMBLIES | | | Does not apply, since the entire switchgear needs to be evaluated. |
| 10.4 Clearances and creepage distances | | | Meets the product standard's requirements. |
| 10.5 Protection against electric shock | | | Does not apply, since the entire switchgear needs to be evaluated. |
| 10.6 Incorporation of switching devices and components | | | Does not apply, since the entire switchgear needs to be evaluated. |
| 10.7 Internal electrical circuits and connections | | | Is the panel builder's responsibility. |
| 10.8 Connections for external conductors | | | Is the panel builder's responsibility. |
| 10.9 Insulation properties | | | |
| 10.9.2 Power-frequency electric strength | | | Is the panel builder's responsibility. |
| 10.9.3 Impulse withstand voltage | | | Is the panel builder's responsibility. |
| 10.9.4 Testing of enclosures made of insulating material | | | Is the panel builder's responsibility. |
| 10.10 Temperature rise | | | Not applicable. |
| 10.11 Short-circuit rating | | | Is the panel builder's responsibility. The specifications for the switchgear must be observed. |

| | | |
|-------------------------------------|--|--|
| 10.12 Electromagnetic compatibility | | Is the panel builder's responsibility. The specifications for the switchgear must be observed. |
| 10.13 Mechanical function | | The device meets the requirements, provided the information in the instruction leaflet (IL) is observed. |

Technical data ETIM 7.0

Low-voltage industrial components (EG000017) / Handle for power circuit breaker (EC000229)

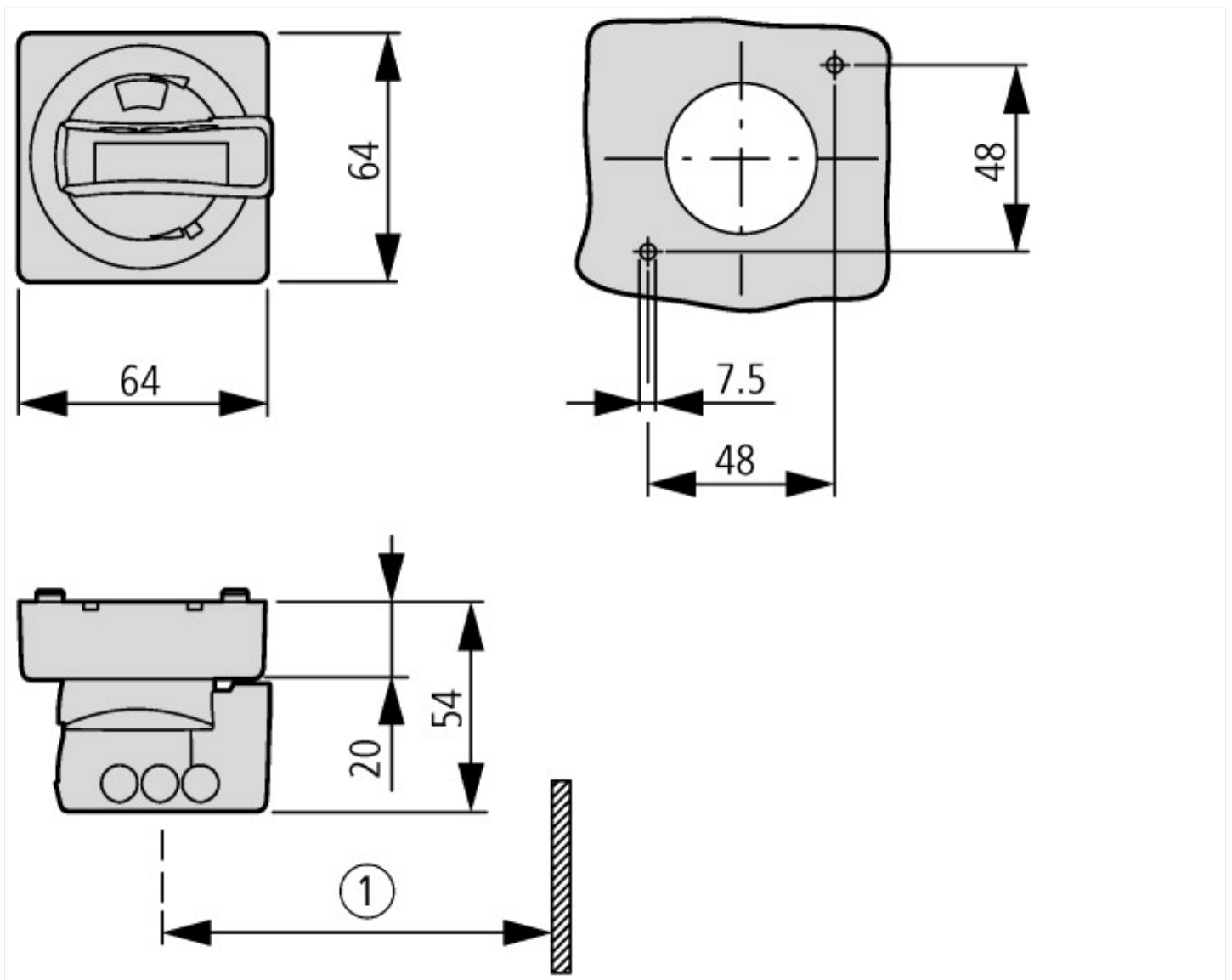
Electric engineering, automation, process control engineering / Low-voltage switch technology / Circuit breaker (LV < 1 kV) / Handle for switch devices (ecl@ss10.0.1-27-37-04-14 [AKF012014])

| | | |
|------------------------------------|--|-----|
| Lockable | | Yes |
| Colour | | Red |
| Suitable for emergency stop | | Yes |
| With extension shaft | | Yes |
| Suitable for power circuit breaker | | No |
| Suitable for switch disconnecter | | No |

Approvals

| | | |
|--------------------------------------|--|--|
| Product Standards | | UL 508; CSA-C22.2 No. 14; IEC60947-4-1; CE marking |
| UL File No. | | E36332 |
| UL Category Control No. | | NLRV |
| CSA File No. | | 165628 |
| CSA Class No. | | 3211-05 |
| North America Certification | | UL listed, CSA certified |
| Specially designed for North America | | No |
| Degree of Protection | | IEC: IP65, UL/CSA Type: 4X, 12 |

Dimensions



Mounting depth: 125 to 240 mm from the top edge of the top-hat rail to the front edge of the cabinet door/cover

① At least 100 mm from cover hinge

Additional product information (links)

IL03402018Z (AWA1210-2348) door coupling rotary handle

| | |
|--|---|
| IL03402018Z (AWA1210-2348) door coupling rotary handle | https://es-assets.eaton.com/DOCUMENTATION/AWA_INSTRUCTIONS/IL03402018Z2013_11.pdf |
| Motor starters and "Special Purpose Ratings" for the North American market | http://www.eaton.eu/ecm/groups/public/@pub/@europe/@electrical/documents/content/pct_3258146.pdf |
| Busbar Component Adapters for modern Industrial control panels | http://www.moeller.net/binary/ver_techpapers/ver960en.pdf |